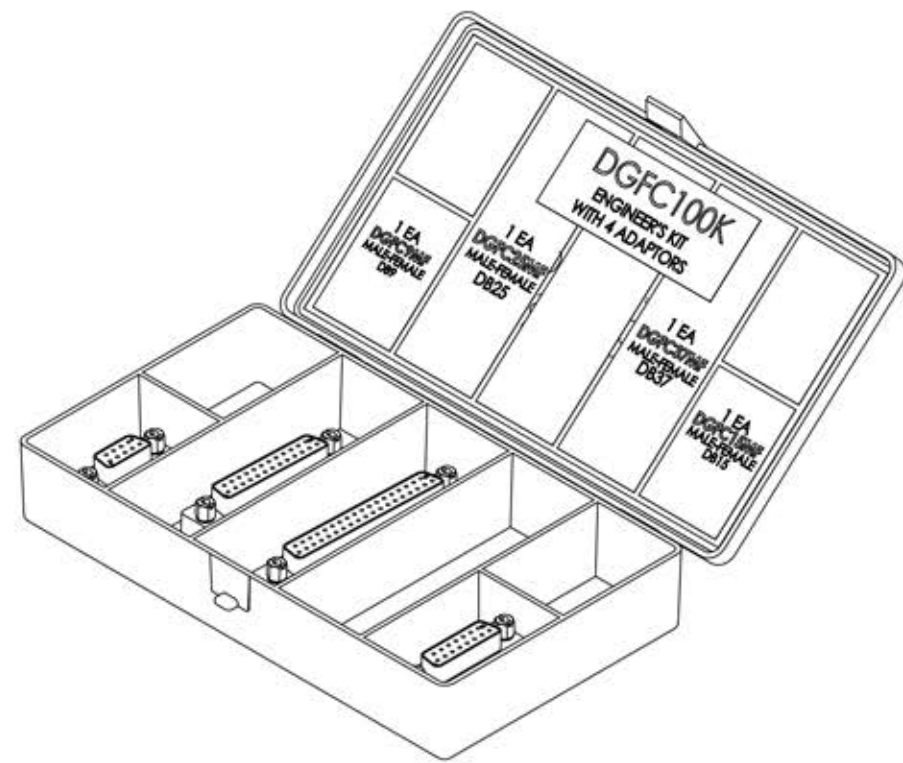
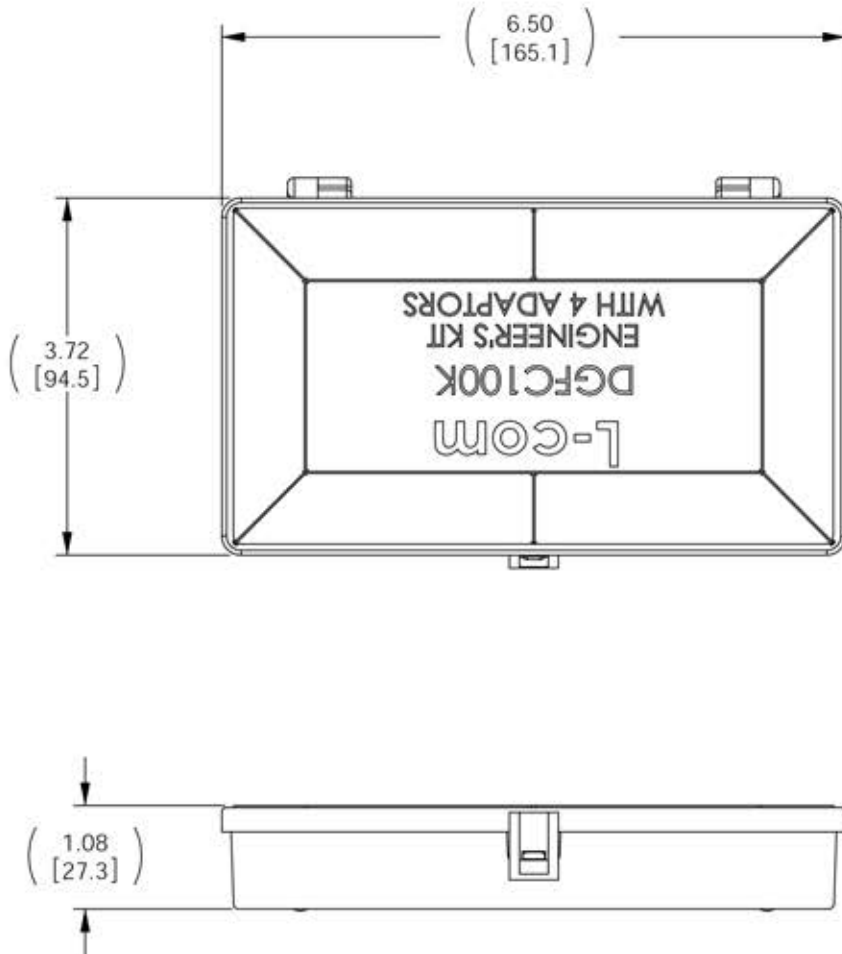


THE INFORMATION CONTAINED IN THIS DRAWING IS THE SOLE PROPERTY OF L-COM, INC. ANY REPRODUCTION IN PART OR WHOLE WITHOUT THE WRITTEN PERMISSION OF L-COM, INC. IS PROHIBITED.

REVISIONS			
REV	DESCRIPTION	DATE	APPROVED
-	APPROVED FOR PRODUCTION BY Z W	3/19/99	BJD
A	ADDED LABEL (DGFC100K-LABEL) (SEE ECN A0079)	7/13/99	BJD
A	ECN 99999: REDRAWN FOR MAC 99-031531	9/2/09	D.FRISIELLO



NOTES:

THE KIT CONTAINS ONE (1) EACH OF THE FOLLOWING:

- DGFC9MF
- DGFC15MF
- DGFC25MF
- DGFC37MF

ALL COMPONENTS MEET ROHS COMPLIANCY.

UNLESS OTHERWISE SPECIFIED, DIMENSIONS ARE IN INCHES (mm)	APPROVALS	DATE		45 BEECHWOOD DRIVE NORTH ANDOVER, MA 01845
	DRAWN BY D.FRISIELLO	9/2/09		CATEGORY
DIMENSIONAL TOLERANCES: X = ± .1 XX = ± .01 XXX = ± .005 ANGULAR TOLERANCES: ALL = ± 1°	CHECKED BY M.MARTINEZ	9/2/09	PRODUCT DESCRIPTION	
	APPROVED BY S.SMITH	9/2/09	ADAPTER, KIT CAP FILTER 4 PC	
PROJECTION	CONFIGURATION DETAILS OF UNDIMENSIONED FEATURES MAY VARY	COLOR VARIATIONS MAY OCCUR	SIZE A FSCM NO. 43321 DWG. NO. DGFC100K	REV. A
		SCALE: NONE	CAD FILE: DGFC100K.SLDDRW	SHEET 1 OF 1