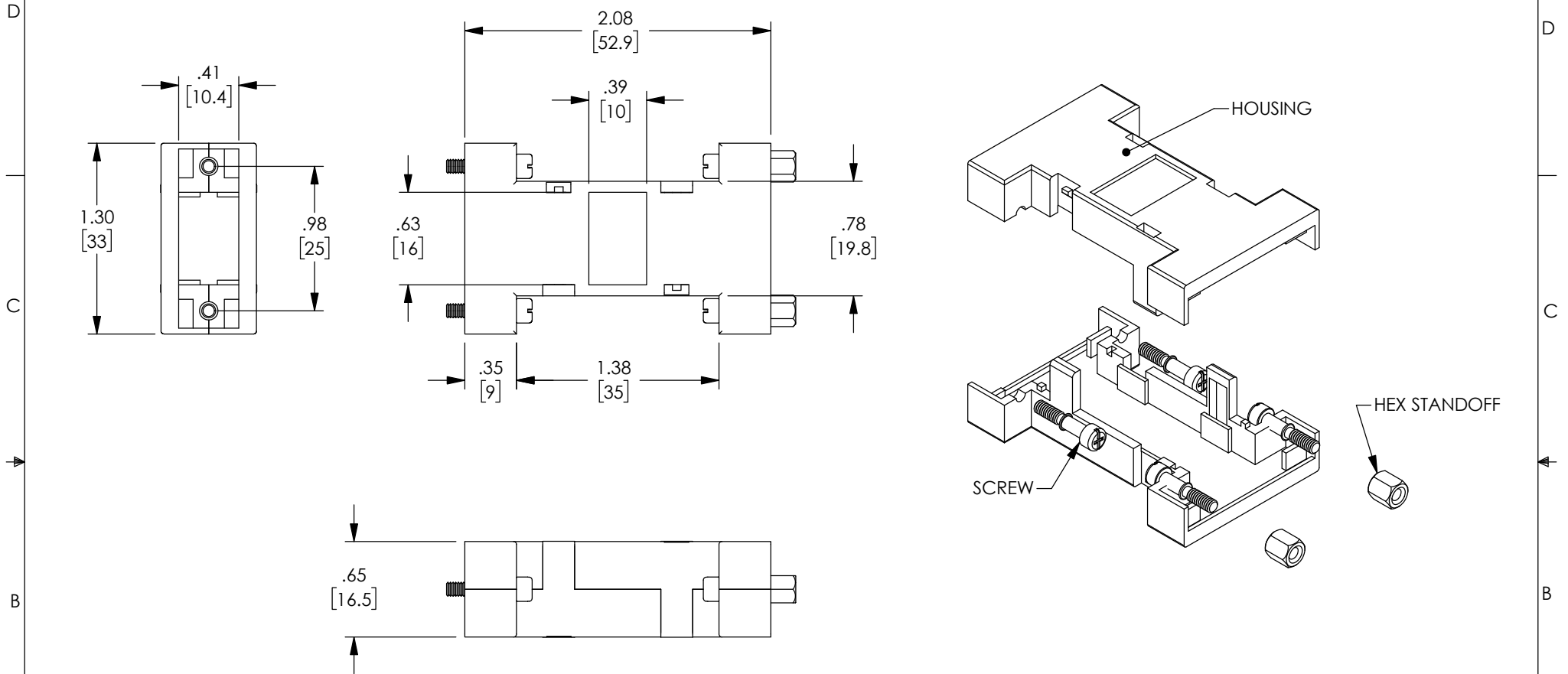


THE INFORMATION CONTAINED IN THIS DRAWING IS THE SOLE PROPERTY OF L-COM, INC. ANY REPRODUCTION IN PART OR WHOLE WITHOUT THE WRITTEN PERMISSION OF L-COM, INC. IS PROHIBITED.

REVISIONS			
REV	DESCRIPTION	DATE	APPROVED
A	DRAWING REPLACES DHP9B-OD1	08/23/2012	DFRISIELLO
B	ECN 10514: REVISED COMPONENTS AND DIMENSIONS	06/03/2020	BGATES



SPECIFICATIONS:

HOUSING: ABS PLASTIC, UL94V-0 RATED


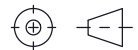
COLOR: BLACK

HARDWARE SUPPLIED: FOUR 4-40 UNC-2A SCREWS,
TWO 4-40 UNC-2B HEX STANDOFFS,

HOUSING ACCEPTS STANDARD 9 POSITION D-SUB OR 15 POSITION,
HIGH DENSITY CONNECTORS (NOT SUPPLIED).

NOTES: HALF COVERS SNAP TOGETHER SECURELY, CAPTIVATING
D-SUB CONNECTORS.

COMPONENTS SHALL BE LOOSELY PACKAGED IN ACCORDANCE
WITH L-COM SPECIFICATION PS-0031.

UNLESS OTHERWISE SPECIFIED, DIMENSIONS ARE IN INCHES [mm] OVERALL CABLE LENGTH TOLERANCE: ≤12 [305] = +1 [25] / -0 >12 [305] ≤60 [1524] = +2 [51] / -0 >60 [1524] ≤120 [3048] = +4 [102] / -0 >120 [3048] ≤300 [7620] = +6 [152] / -0 >300 [7620] = +5% / -0 ALL OTHER DIMENSIONAL TOLERANCES: .X = ±.2 [5] FRACTIONS ± 1/32 .XX = ±.02 [.5] ANGLES ± 1° .XXX = ±.005 [.13]	APPROVALS	DATE	 50 High Street, West Mill, North Andover, MA 01845 USA. Phone: 1.800.341.5266 1.978.682.6936
	DRAWN BY DFRISIELLO	06/03/2020	
	CHECKED BY BGATES	06/03/2020	
	APPROVED BY BGATES	06/03/2020	
THIRD-ANGLE PROJECTION	CONFIGURATION DETAILS OF UNDIMENSIONED FEATURES MAY VARY	PRODUCT DESCRIPTION	CATEGORY D-SUBMINIATURE ADPT, COVER DB9 BLACK PLASTIC
	COLOR VARIATIONS MAY OCCUR	SIZE A	
SCALE: NONE	CAGE CODE 43321	ITEM NO. DHP9B	
T-Rev.D		CAD FILE: DHP9B.SLDDRW	REV. B