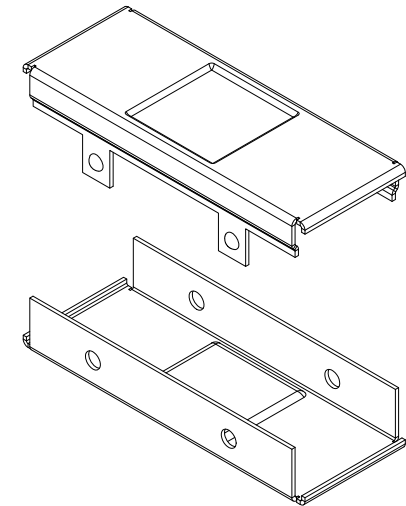
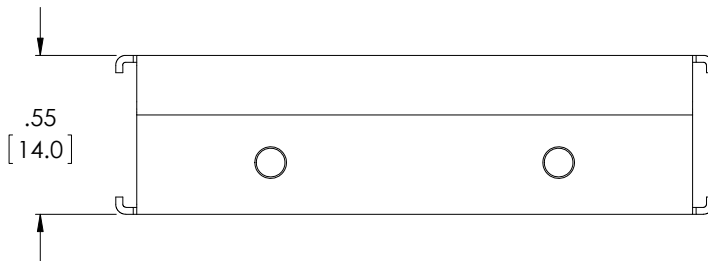
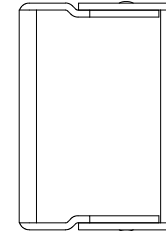
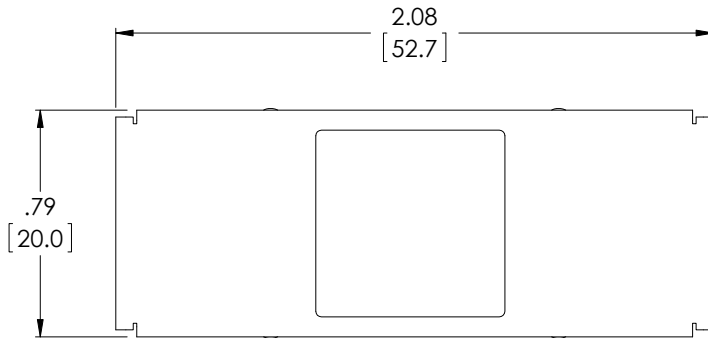


THE INFORMATION CONTAINED IN THIS DRAWING IS THE SOLE PROPERTY OF L-COM, INC. ANY REPRODUCTION IN PART OR WHOLE WITHOUT THE WRITTEN PERMISSION OF L-COM, INC. IS PROHIBITED.

REVISIONS			
REV	DESCRIPTION	DATE	APPROVED
A	DRAWING REPLACES DHS9-OD1	9/25/14	D. DESJARDIN



NOTES:

1. MATERIAL: COLD ROLLED STEEL .024 [.61] THK.
2. FINISH: BRIGHT CHROME PLATE
3. CONNECTOR HARDWARE SUPPLIED:
TWO #4-40 JACKSCREWS
TWO #4-40 SLOTTEDDD SCREWS
TWO #4-40 HEX NUTS
TWO RETAINING CLIPS
4. COMPONENTS SHALL BE LOOSELY PACKAGED IN ACCORDANCE WITH L-COM SPECIFICATION PS-0031.

REGULATORY COMPLIANCE:
CE2011/65/EU(RoHS DIRECTIVE)

UNLESS OTHERWISE SPECIFIED, DIMENSIONS ARE IN INCHES [mm] OVERALL CABLE LENGTH TOLERANCE: ≤12 [305] = +1 [25] / -0 >12 [305] ≤60 [1524] = +2 [51] / -0 >60 [1524] ≤120 [3048] = +4 [102] / -0 >120 [3048] ≤300 [7620] = +6 [152] / -0 >300 [7620] = +5% / -0% ALL OTHER DIMENSIONAL TOLERANCES: .X = ± .2 [5.08] .XX = ± .02 [5.1] .XXX = ±.005 [1.13]	APPROVALS DRAWN BY MCCORMICK	DATE 12/04/2002		45 BEECHWOOD DRIVE NORTH ANDOVER, MA 01845		
	CHECKED BY D.PARHAM	DATE 12/04/2002		CATEGORY D-SUBMINIATURE		
	APPROVED BY R.CARRICK	DATE 12/04/2002	PRODUCT DESCRIPTION ADPT, COVER DB9 SHIELDED MTL			
	PROJECTION 	CONFIGURATION DETAILS OF UNDIMENSIONED FEATURES MAY VARY	COLOR VARIATIONS MAY OCCUR	SIZE A	FSCM NO. 43321	DWG. NO. DHS9
SCALE: NONE			CAD FILE: DHS9.SLDDRW		SHEET 1 OF 1	