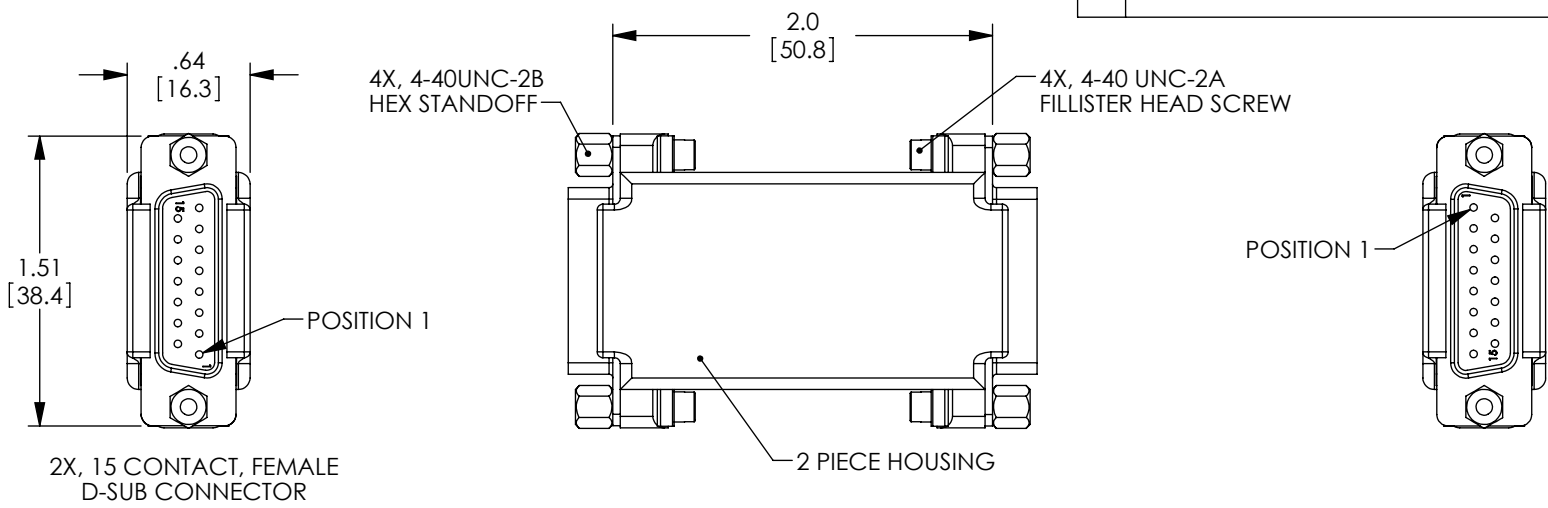


THE INFORMATION CONTAINED IN THIS DRAWING IS THE SOLE PROPERTY OF L-COM, INC. ANY REPRODUCTION IN PART OR WHOLE WITHOUT THE WRITTEN PERMISSION OF L-COM, INC. IS PROHIBITED.

REVISIONS			
REV	DESCRIPTION	DATE	APPROVED
A	INITIAL RELEASE	2/4/13	D.GRIFFIN



NOTES:

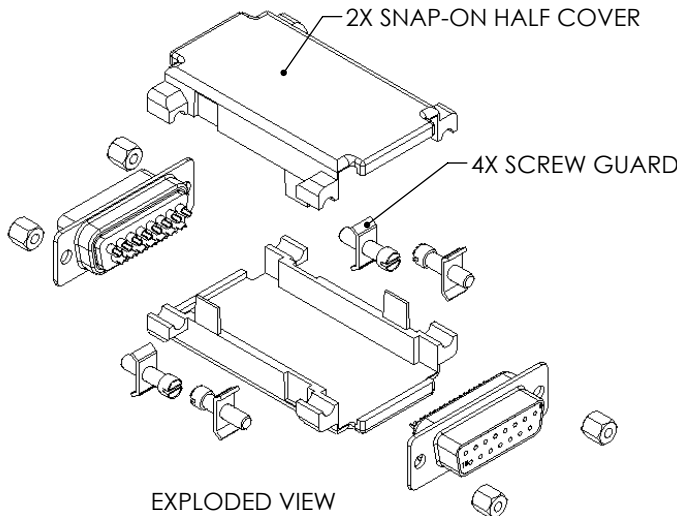
MATERIAL:
 HOUSING: ABS, COLOR: GRAY
 SHELL: COLD ROLLED STEEL
 CONTACTS: COPPER ALLOY
 INSULATOR: PBT W/GLASS FIBER FILLED (UL94V-0 RATED)

FINISH:
 SHELL: TIN PLATED
 CONTACTS: GOLD FLASH PLATED
 SOLDER CUPS: TIN-LEAD PLATED

ELECTRICAL:
 CURRENT RATING: 5 AMP
 DIELECTRIC WITHSTANDING VOLTAGE: 1000 VAC rms
 INSULATION RESISTANCE: 5000 MΩ @ 500VDC
 CONTACT RESISTANCE: 10mΩ MAX.

MISCELLANEOUS:
 ALL DIMENSIONS SHOWN ARE FOR REFERENCE ONLY.
 ADAPTER IS NOT SUPPLIED WITH JUMPERS.
 CONNECTORS ARE SOLDER CUP STYLE.

ADAPTER SHALL BE INDIVIDUALLY PACKAGED, UNASSEMBLED, IN ACCORDANCE WITH L-COM SPECIFICATION PS-0031.



EXPLODED VIEW

UNLESS OTHERWISE SPECIFIED, DIMENSIONS ARE IN INCHES [mm] OVERALL CABLE LENGTH TOLERANCE: ≤12 [305] = +1 [25] / -0 >12 [305] ≤60 [1524] = +2 [51] / -0 >60 [1524] ≤120 [3048] = +4 [102] / -0 >120 [3048] ≤300 [7620] = +6 [152] / -0 >300 [7620] = +3% / -0%	APPROVALS	DATE	L-com Global Connectivity 45 BEECHWOOD DRIVE NORTH ANDOVER, MA 01845
	DRAWN BY D.FRISIELLO	2/4/13	
ALL OTHER DIMENSIONAL TOLERANCES: .X = ±.2 .XX = ±.02 .XXX = ±.005	CHECKED BY D.DESJARDIN	2/4/13	CATEGORY D-SUBMINIATURE
	APPROVED BY M.MARTINEZ	2/4/13	PRODUCT DESCRIPTION ADPT, KIT UNWIRED DB15F/F
PROJECTION 	CONFIGURATION DETAILS OF UNDIMENSIONED FEATURES MAY VARY	COLOR VARIATIONS MAY OCCUR	SIZE A FSCM NO. 43321 DWG. NO. DIY15FF REV. A
SCALE: NONE		CAD FILE: DIY15FF.SLDDRW	SHEET 1 OF 1