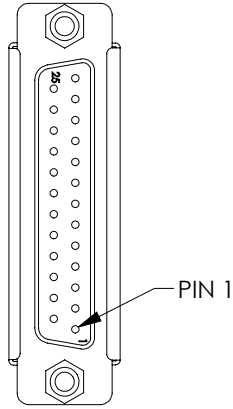
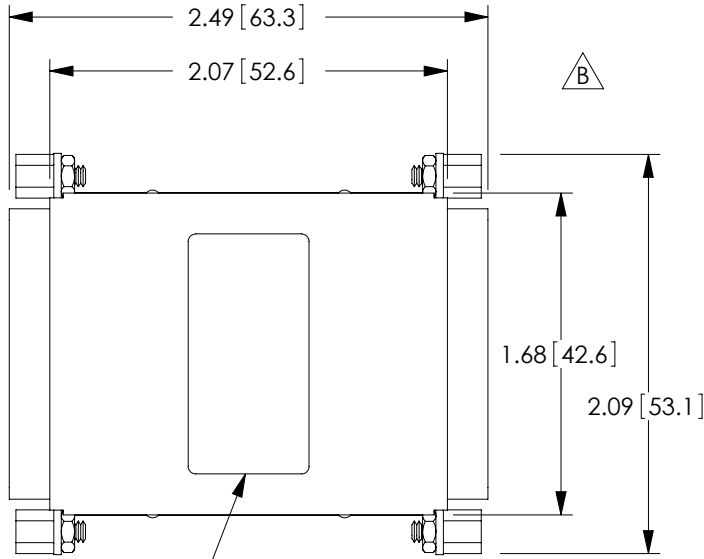


THE INFORMATION CONTAINED IN THIS DRAWING IS THE SOLE PROPERTY OF L-COM, INC. ANY REPRODUCTION IN PART OR WHOLE WITHOUT THE WRITTEN PERMISSION OF L-COM, INC. IS PROHIBITED.

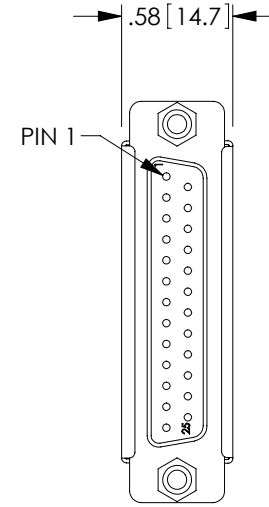
REVISIONS			
REV	DESCRIPTION	DATE	APPROVED
B	ECN 11801: REVISED ALL OVERALL DIMENSIONS	04/19/2022	GUTTADAURO



"J1"  
FEMALE 25 CONTACT  
D-SUB CONNECTOR



RECESSED SPACE FOR  
LABEL, BOTH SIDES (.63" X 1.25")



"J2"  
FEMALE 25 CONTACT  
D-SUB CONNECTOR

**NOTES:**

**MATERIAL:**

HOUSING: STEEL (24 GA)  
CONNECTOR SHELL: STEEL  
INSULATOR: THERMOPLASTIC, UL94V-0 RATED  
CONTACTS: PHOSPHOR BRONZE  
HARDWARE: STEEL OR BRASS

**FINISH:**

HOUSING: BRIGHT NICKEL PLATED  
CONNECTOR SHELL: TIN PLATED  
CONTACTS: GOLD FLASH IN CONTACT AREA OVER NICKEL PLATE  
HARDWARE: NICKEL PLATED

**MISCELLANEOUS:**


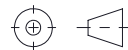
ALL DIMENSIONS ARE FOR REFERENCE ONLY.  
STEEL HOUSING PROVIDES COMPLETE 360° SHIELDING  
OPERATING TEMPERATURE: -20°C TO +60°C  
KIT TO BE INDIVIDUALLY PACKAGED IN A POLYBAG

JUMPER WIRES NOT INCLUDED. ORDER SEPARATELY  
L-COM TD-JS, TD-JP, OR TD-JT TERMINATED JUMPER  
WIRES FOR EASY PUSH-ON PROGRAMMING.

**KIT INCLUDES**

1. 2 PIECE METAL HOUSING.
2. 2X FEMALE DB25 WITH SOLDER CUP TERMINALS
3. 4X #4-40 HEX STAND-OFF
4. 4X #4-40 HEX NUT



UNLESS OTHERWISE SPECIFIED, DIMENSIONS ARE IN INCHES [mm]	APPROVALS	DATE	 50 High Street, West Mill, North Andover, MA 01845 USA. Phone: 1.800.341.5266 1.978.682.6936
	OVERALL CABLE LENGTH TOLERANCE: ≤12 [305] = +1 [25] / -0 >12 [305] ≤60 [1524] = +2 [51] / -0 >60 [1524] ≤120 [3048] = +4 [102] / -0 >120 [3048] ≤300 [7620] = +6 [152] / -0 >300 [7620] = +5% / -0	DRAWN BY DFRISIELLO	
ALL OTHER DIMENSIONAL TOLERANCES: .X = ± .2 [5]   FRACTIONS ± 1/32 .XX = ± .02 [5]   ANGLES ± 1° .XXX = ± .005 [13]	CHECKED BY D.PARHAM	12/13/2007	CATEGORY <b>D-SUBMINIATURE</b>
	APPROVED BY J.KEZULAS	12/13/2007	
THIRD-ANGLE PROJECTION 	CONFIGURATION DETAILS OF UNDIMENSIONED FEATURES MAY VARY	PRODUCT DESCRIPTION <b>ADAPTER KIT, METAL, DB25 F/F</b>	SIZE <b>A</b>   CAGE CODE <b>43321</b>   ITEM NO. <b>DIYKS-F</b>   REV. <b>B</b>
REF	COLOR VARIATIONS MAY OCCUR	SCALE: NONE   CAD FILE: DIYKS-F.SLDDRW	SHEET 1 OF 1