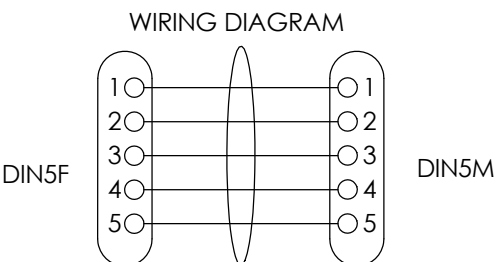
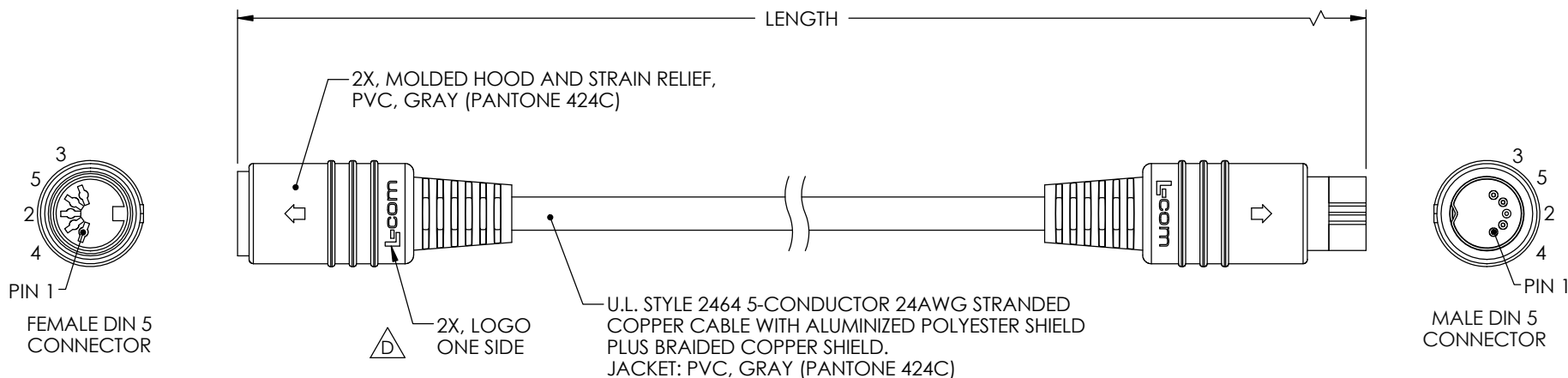


THE INFORMATION CONTAINED IN THIS DRAWING IS THE SOLE PROPERTY OF L-COM, INC. ANY REPRODUCTION IN PART OR WHOLE WITHOUT THE WRITTEN PERMISSION OF L-COM, INC. IS PROHIBITED.

RoHS Compliant ✓

REVISIONS			
REV	DESCRIPTION	DATE	APPROVED
A	RELEASED FOR PRODUCTION	9/12/00	TJC
B	ECN# 3387, ASSY MODIFIED FOR CN RELEASE	6/11/08	E. STAUBLE
C	ECN 3413: ADDED PIN# IDENTIFICATIONS	6/24/08	D.GRIFFIN
D	ECN 6736: UPD LOGOS, DRAWING FORMAT, AND PACKAGING NOTES	3/18/13	D. DESJARDIN



MODEL NUMBER	LENGTH	
	FEET	METERS
DK225MF-3	3.0	0.91
DK225MF-6	6.0	1.83
DK225MF-10	10.0	3.05
DK225MF-20	20.0	6.10
DK225MF-25	25.0	7.62

CABLE SHIELD DRAIN WIRE IS CONNECTED TO BOTH DIN SHELLS

- NOTES:
- CABLE SHALL BE TESTED FOR CONTINUITY.
 - CABLE SHALL BE INDIVIDUALLY PACKAGED IN ACCORDANCE WITH L-COM SPECIFICATION PS-0031.

<p>UNLESS OTHERWISE SPECIFIED, DIMENSIONS ARE IN INCHES [mm]</p> <p>OVERALL CABLE LENGTH TOLERANCE:</p> <p>≤12 [305] = +1 [25] / -0</p> <p>>12 [305] ≤60 [1524] = +2 [51] / -0</p> <p>>60 [1524] ≤120 [3048] = +4 [102] / -0</p> <p>>120 [3048] ≤300 [7620] = +6 [152] / -0</p> <p>>300 [7620] = +3% / -0%</p> <p>ALL OTHER DIMENSIONAL TOLERANCES:</p> <p>.X = ±.2</p> <p>.XX = ±.02</p> <p>.XXX = ±.005</p>	<p>APPROVALS</p> <p>TJC</p>	<p>DATE</p> <p>9/4/00</p>	<p>45 BEECHWOOD DRIVE NORTH ANDOVER, MA 01845</p>		
	<p>CHECKED BY</p> <p>DFF</p>	<p>DATE</p> <p>9/7/00</p>		<p>CATEGORY</p> <p>I/O PRODUCTS</p>	
	<p>APPROVED BY</p> <p>RC</p>	<p>DATE</p> <p>9/12/00</p>	<p>PRODUCT DESCRIPTION</p> <p>CBL DIN5 MALE/ DIN5 FEMALE</p>		
	<p>PROJECTION</p>	<p>COLOR VARIATIONS MAY OCCUR</p>	<p>SIZE</p> <p>A</p>	<p>FSCM NO.</p> <p>43321</p>	<p>DWG. NO.</p> <p>DK225MF</p>

SCALE: NONE | CAD FILE: DK225MF.SLDDRW | SHEET 1 OF 1