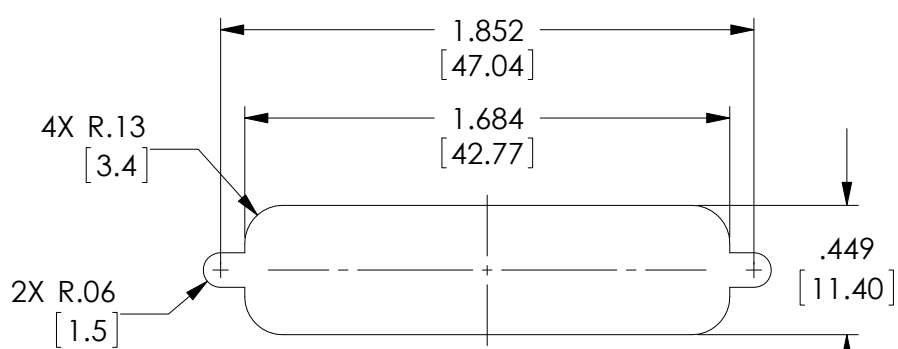
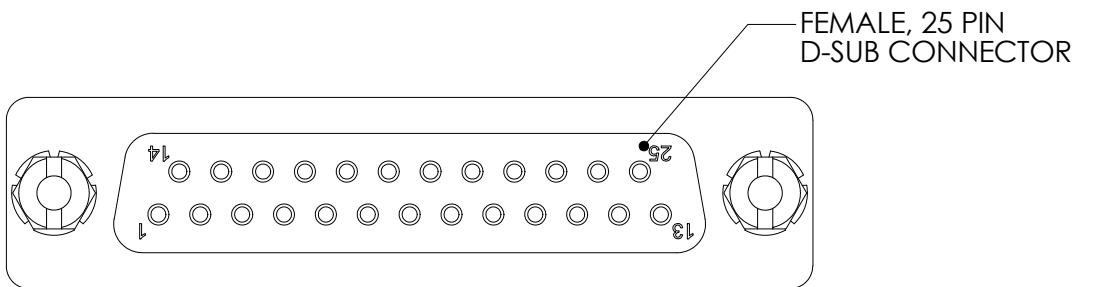
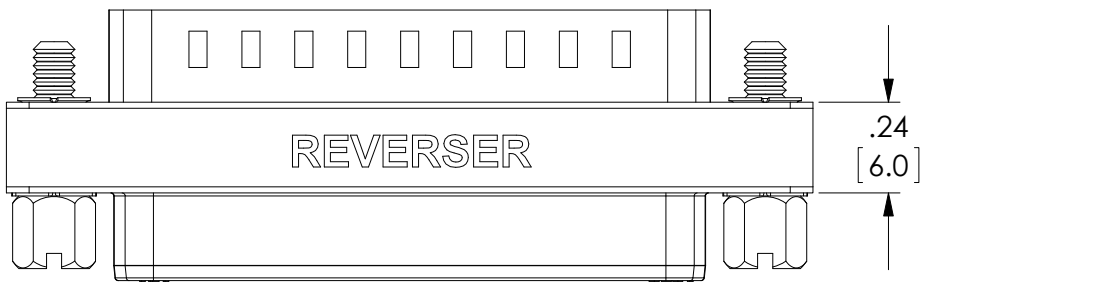
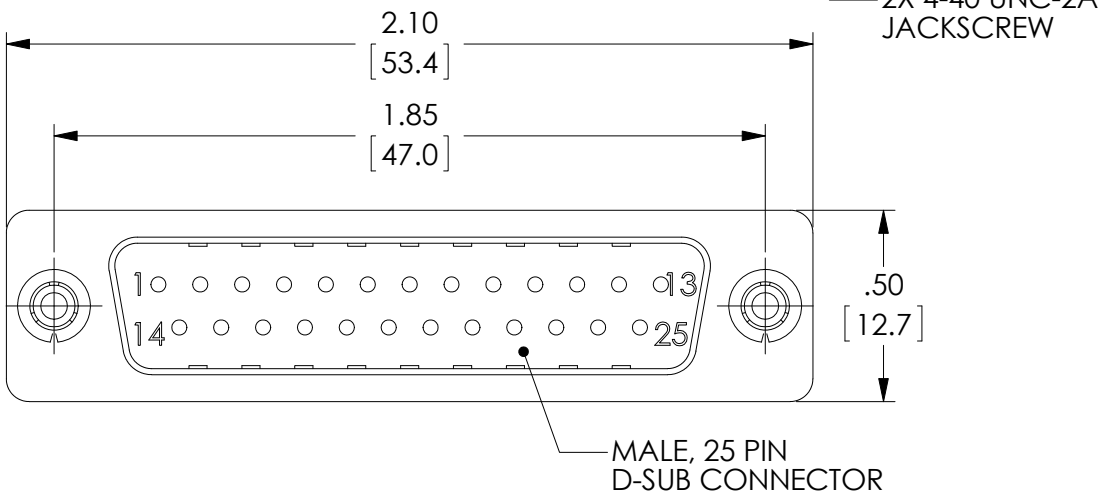
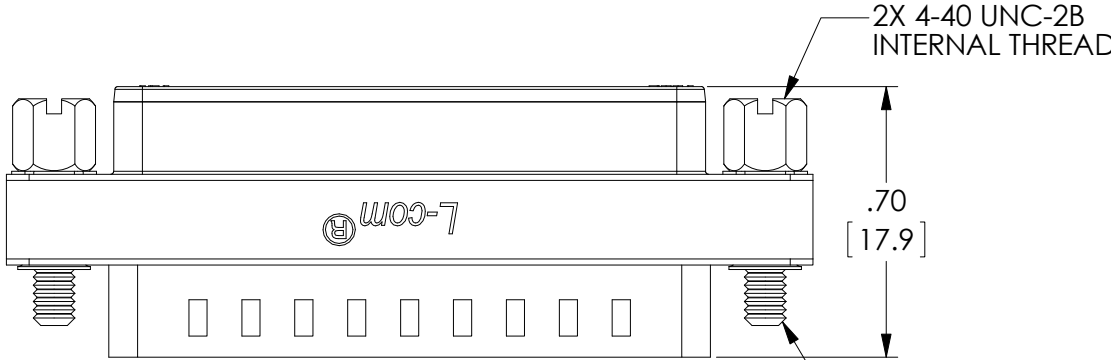


THE INFORMATION CONTAINED IN THIS DRAWING IS THE SOLE PROPERTY OF L-COM, INC. ANY REPRODUCTIONS IN PART OR WHOLE WITHOUT THE WRITTEN PERMISSION OF L-COM, INC. IS PROHIBITED.

REVISIONS			
REV	DESCRIPTION	DATE	CHANGED BY
A	DRAWING REPLACES DMA040FM-OD1	9/29/14	D. DESJARDIN



RECOMMENDED  
PANEL OPENING  
MAX PANEL THICKNESS: 0.06"



WIRING MAP		
"P1" DB25M	"J1" DB25F	
1	1	
2	3	
3	2	
4	4	
5	5	
6	6	
7	7	
8	8	
9	9	
10	10	
11	11	
12	12	
13	13	
14	14	
15	15	
16	16	
17	17	
18	18	
19	19	
20	20	
21	21	
22	22	
23	23	
24	24	
25	25	
SHELL	SHELL	

**NOTES:**

**MATERIALS:**  
SHELL: COLD ROLLED STEEL  
CONTACTS: BRASS  
INSULATOR: PBT UL94-V0 RATED

**FINISH:**  
SHELL: TIN PLATED  
CONTACT: GOLD FLASH OVER NICKEL  
JACKSCREW: NICKEL PLATED

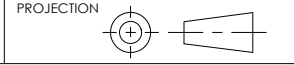
**LABELING:**  
PANTONE 2945 BLUE. "L-COM" FONT MyriaMM ITALIC.  
"REVERSER" FONT ARIAL BOLD, TEXT HEIGHTS; .085"  
TEXT COLOR; WHITE.

**PACKAGING:**  
COMPONENT SHALL BE INDIVIDUALLY PACKAGED IN ACCORDANCE WITH L-COM SPECIFICATION PS-0031.

**REGULATORY COMPLIANCE:**  
CE2011/65/EU(RoHS DIRECTIVE)

UNLESS OTHERWISE SPECIFIED, DIMENSIONS ARE IN INCHES [mm]  
OVERALL CABLE LENGTH TOLERANCE:  
≤12 [305] = +1 [25] / -0  
>12 [305] ≤60 [1524] = +2(51) / -0  
>60 [1524] ≤120 [3048] = +4 [102] / -0  
>120 [3048] ≤300 [7620] = +6 [152] / -0  
>300 [7620] = +5% / -0%

ALL OTHER DIMENSIONAL TOLERANCES:  
X = ±2 [50.8]  
XX = ±0.02 [5.1]  
XXX = ±.005 [1.3]



APPROVALS	DATE
DRAWN BY R.CARRICK	10/4/2000
CHECKED BY TJC	10/4/2000
APPROVED BY D.PARHAM	10/4/2000



CATEGORY D-SUBMINIATURE			
PRODUCT DESCRIPTION ADPT, REVERSER 2&3 DB25M/F			
SIZE <b>B</b>	FSCM NO. <b>43321</b>	DWG. NO. <b>DMA040MF</b>	REV. <b>A</b>
SCALE: 2:1		CAD FILE: DMA040MF.SLDDRW	SHEET 1 OF 1