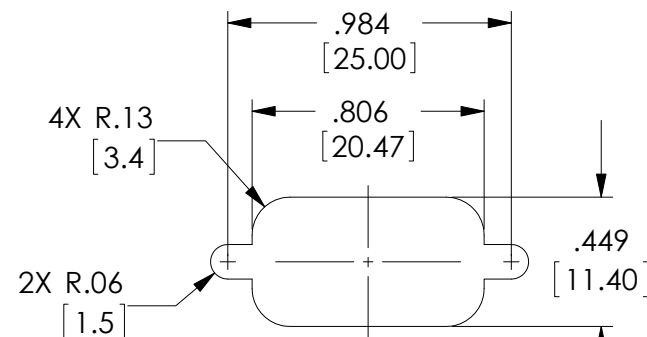
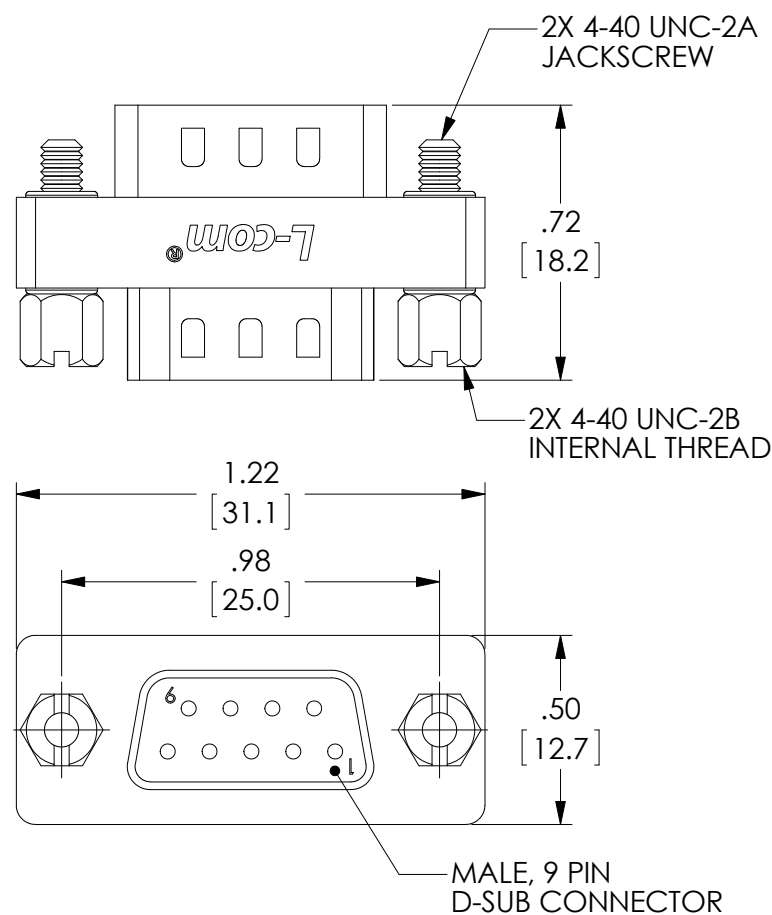


THE INFORMATION CONTAINED IN THIS DRAWING IS THE SOLE PROPERTY OF L-COM, INC. ANY REPRODUCTIONS IN PART OR WHOLE WITHOUT THE WRITTEN PERMISSION OF L-COM, INC. IS PROHIBITED.

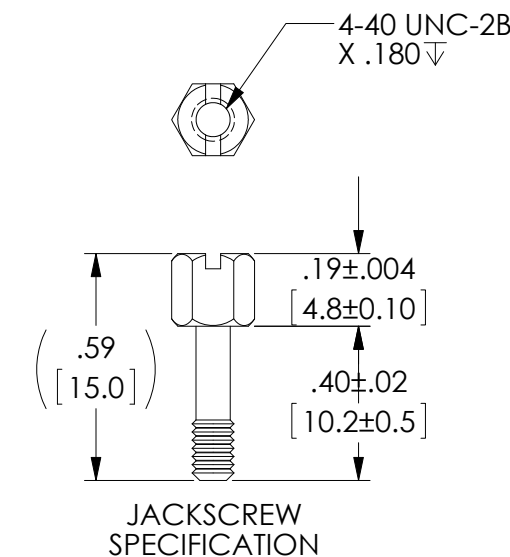
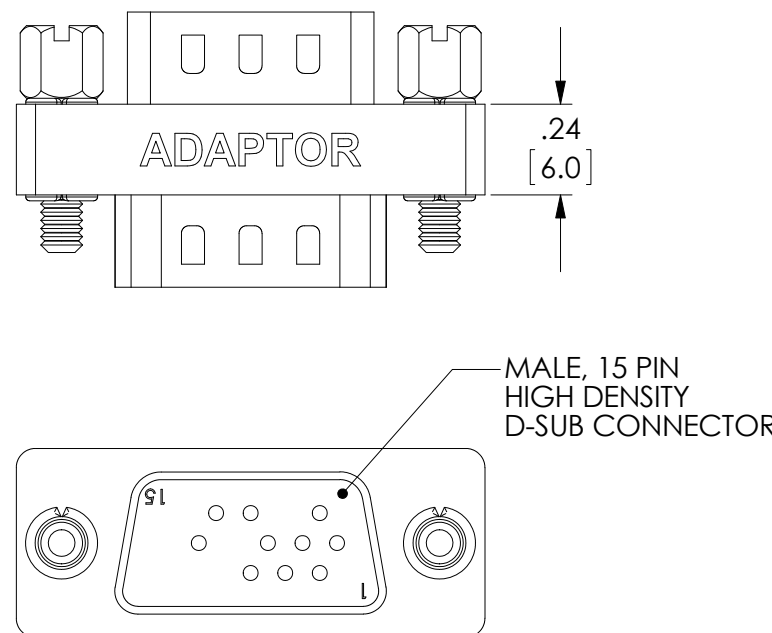
REVISIONS			
REV	DESCRIPTION	DATE	CHANGED BY
A	DRAWING REPLACES DMA100MM-OD1	9/30/14	D. DESJARDIN



RECOMMENDED  
PANEL OPENING  
MAX PANEL THICKNESS: 0.06"



WIRING MAP	
"P1" DB9M	"P2" HD15M
1	1
2	2
3	3
4	13
5	14
6	6
7	7
8	8
9	10, 11
SHELL	SHELL



**NOTES:**

**MATERIALS:**

SHELL: COLD ROLLED STEEL  
CONTACTS: BRASS  
INSULATOR: PBT UL94-V0 RATED

**FINISH:**

SHELL: TIN PLATED  
CONTACT: GOLD FLASH OVER NICKEL  
JACKSCREW: NICKEL PLATED

**LABELING:**

PANTONE 2945 BLUE. "L-COM" FONT MyriaMM ITALIC.  
"ADAPTOR" FONT ARIAL BOLD, TEXT HEIGHTS; .085"  
TEXT COLOR; WHITE.

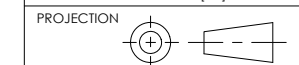
**PACKAGING:**

COMPONENT SHALL BE INDIVIDUALLY PACKAGED IN ACCORDANCE WITH L-COM SPECIFICATION PS-0031.

**REGULATORY COMPLIANCE:**

CE2011/65/EU(RoHS DIRECTIVE)

UNLESS OTHERWISE SPECIFIED,  
DIMENSIONS ARE IN INCHES [mm]  
OVERALL CABLE LENGTH TOLERANCE:  
≤12 [305] = +1 [25] / -0  
>12 [305] ≤60 [1524] = +2[51] / -0  
>60 [1524] ≤120 [3048] = +4 [102] / -0  
>120 [3048] ≤300 [7620] = +6 [152] / -0  
>300 [7620] = +5% / -0%  
ALL OTHER DIMENSIONAL TOLERANCES:  
X = ±.2 [5.08]  
.XX = ±.02 [5.1]  
.XXX = ±.005 [1.3]



APPROVALS	DATE
DRAWN BY D.PARHAM	11/12/2001
CHECKED BY T.CLARK	11/12/2001
APPROVED BY R.CARRICK	11/12/2001

**L-com** Global Connectivity 45 BEECHWOOD DRIVE NORTH ANDOVER, MA 01845

CATEGORY D-SUBMINIATURE			
PRODUCT DESCRIPTION ADPT, VGA PS2 MON DB9M/HD15M			
SIZE <b>B</b>	FSCM NO. 43321	DWG. NO. DMA100MM	REV. A
SCALE: 2:1		CAD FILE: DMA100MM.SLDDRW	SHEET 1 OF 1