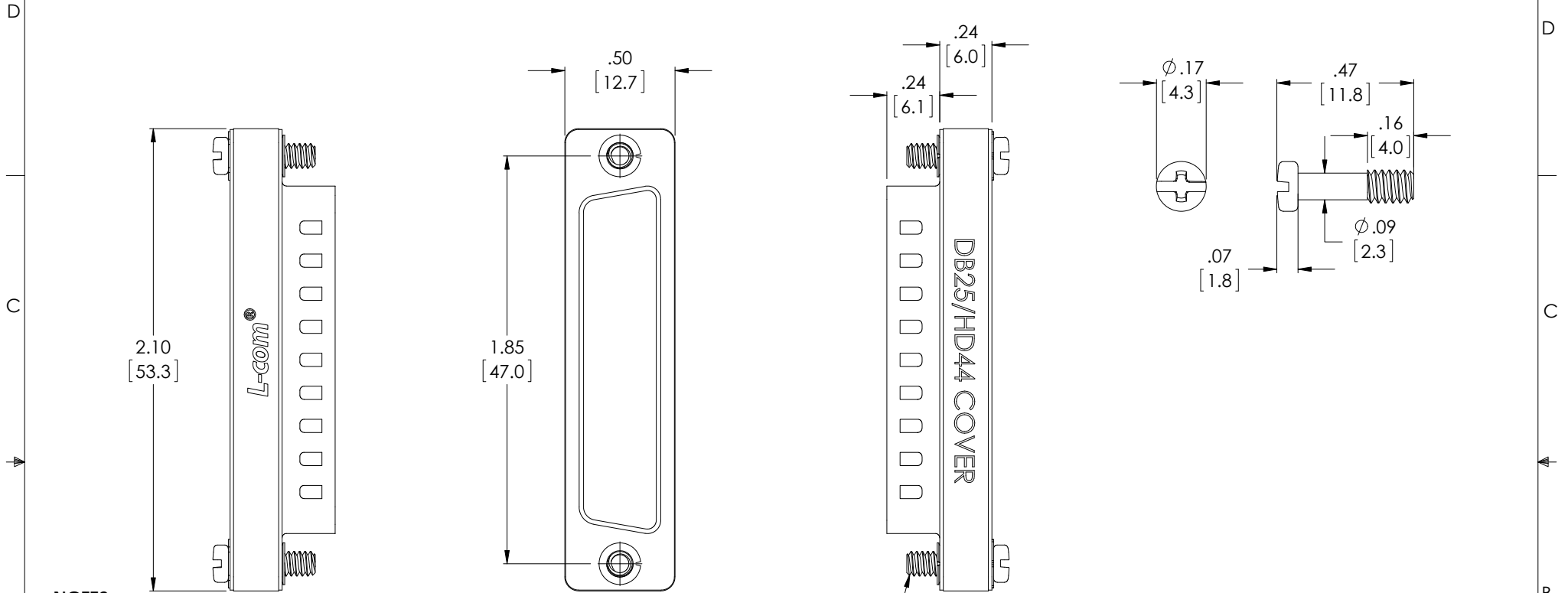


THE INFORMATION CONTAINED IN THIS DRAWING IS THE SOLE PROPERTY OF L-COM, INC. ANY REPRODUCTION IN PART OR WHOLE WITHOUT THE WRITTEN PERMISSION OF L-COM, INC. IS PROHIBITED.

REVISIONS			
REV	DESCRIPTION	DATE	APPROVED
A	DRAWING REPLACES DML019S-OD1	9/30/14	D. DESJARDIN



2X 4-40 UNC-2A SCREW

**NOTES:**

**MATERIALS:**  
 SHELL: NICKEL PLATED, COLD ROLLED STEEL  
 COVER: NICKEL PLATED, COLD ROLLED STEEL  
 INSULATOR: PBT GLASS FIBER REINFORCED UL94-V0, BLACK

**APPLICATION:**  
 COVER FITS STANDARD 25-CONTACT OR HIGH DENSITY 44-CONTACT FEMALE D-SUBMINIATURE RECEPTACLE.

**LABELING:**  
 PANTONE 2945 BLUE. "L-COM" FONT MyriaMM ITALIC.  
 "DB25/HD44 COVER" FONT ARIAL BOLD, TEXT HEIGHTS; .085"  
 TEXT COLOR; WHITE.

**MISCELLANEOUS:**  
 COMPONENT SHALL BE INDIVIDUALLY PACKAGED IN ACCORDANCE WITH L-COM SPECIFICATION PS-0031.

**REGULATORY COMPLIANCE:**  
 CE2011/65/EU (RoHS DIRECTIVE)

UNLESS OTHERWISE SPECIFIED, DIMENSIONS ARE IN INCHES [mm] OVERALL CABLE LENGTH TOLERANCE: ≤12 [305] = +1 [25] / -0 >12 [305] ≤60 [1524] = +2 [51] / -0 >60 [1524] ≤120 [3048] = +4 [102] / -0 >120 [3048] ≤300 [7620] = +6 [152] / -0 >300 [7620] = +5% / -0% ALL OTHER DIMENSIONAL TOLERANCES: .X = ± .2 [5.08] .XX = ± .02 [5.1] .XXX = ± .005 [1.3]	APPROVALS DRAWN BY P. LECLAIR	DATE 10/01/02		45 BEECHWOOD DRIVE NORTH ANDOVER, MA 01845	
	CHECKED BY C. MCCORMICK	10/01/02		CATEGORY D-SUBMINIATURE	
	APPROVED BY R. CARRICK	10/01/02	PRODUCT DESCRIPTION DB25 CONNECTOR SHIELD		
	PROJECTION 	COLOR VARIATIONS MAY OCCUR	SIZE <b>A</b>	FSCM NO. <b>43321</b>	DWG. NO. <b>DML019S</b>
		SCALE: NONE	CAD FILE: DML019S.SLDDRW		SHEET 1 OF 1