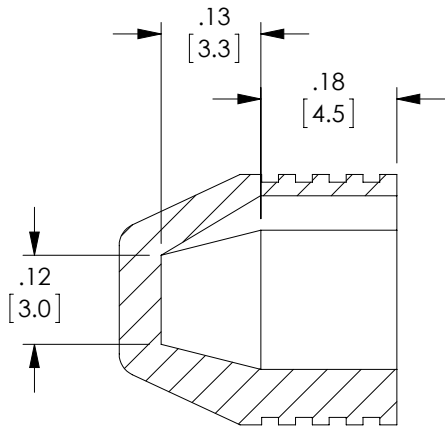
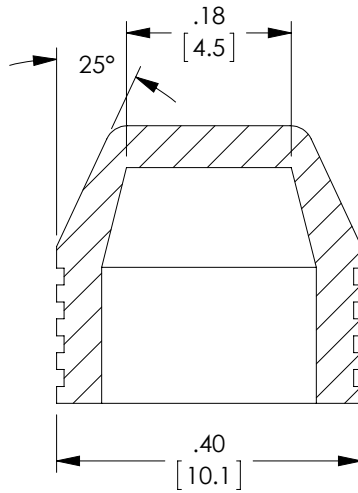


THE INFORMATION CONTAINED IN THIS DRAWING IS THE SOLE PROPERTY OF L-COM, INC. ANY REPRODUCTION IN PART OR WHOLE WITHOUT THE WRITTEN PERMISSION OF L-COM, INC. IS PROHIBITED.

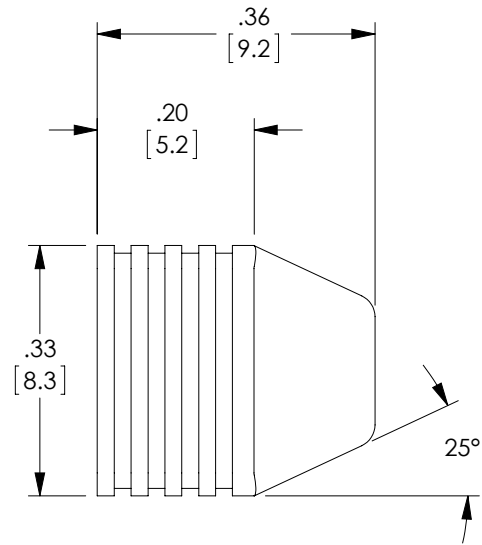
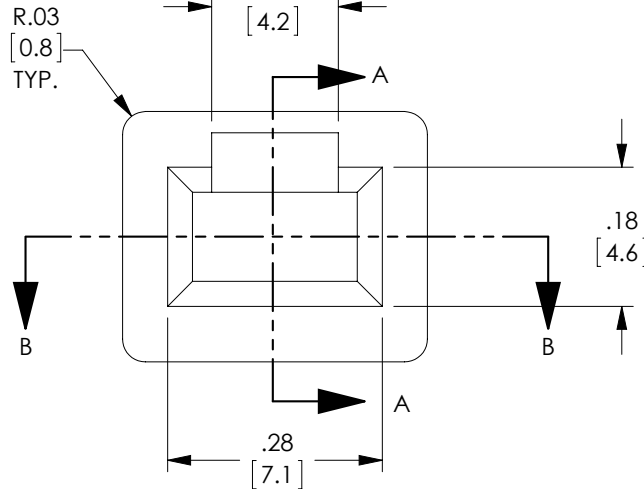
RoHS Compliant ✓

REVISIONS			
REV	DESCRIPTION	DATE	APPROVED
A	INITIAL RELEASE	2/22/13	D.GRIFFIN

SECTION B-B
SCALE 4 : 1



SECTION A-A
SCALE 4 : 1



NOTES:

MATERIAL: THERMOPLASTIC RUBBER

COMPONENT SHALL BE BULK PACKAGED IN QUANTITIES OF 50 PER BAG IN ACCORDANCE WITH L-COM SPECIFICATION PS-0031.

UNLESS OTHERWISE SPECIFIED, DIMENSIONS ARE IN INCHES [mm] OVERALL CABLE LENGTH TOLERANCE: ≤12 [305] = +1 [25] / -0 >12 [305] ≤60 [1524] = +2 [51] / -0 >60 [1524] ≤120 [3048] = +4 [102] / -0 >120 [3048] ≤300 [7620] = +6 [152] / -0 >300 [7620] = +3% / -0% ALL OTHER DIMENSIONAL TOLERANCES: .X = ±.2 .XX = ±.02 .XXX = ±.005 PROJECTION 	APPROVALS DRAWN BY D.FRISIELLO CHECKED BY D.DESJARDIN APPROVED BY D.GALLAGHER	DATE 2/22/13 2/22/13 2/22/13	45 BEECHWOOD DRIVE NORTH ANDOVER, MA 01845		
	CATEGORY FIBER OPTICS			PRODUCT DESCRIPTION MTRJ CONN DUST CAPS	
	CONFIGURATION DETAILS OF UNDIMENSIONED FEATURES MAY VARY COLOR VARIATIONS MAY OCCUR	SIZE A	FSCM NO. 43321		DWG. NO. DSTCP-C-MTRJ
	SCALE: NONE		CAD FILE: DSTCP-C-MTRJ.SLDDRW		SHEET 1 OF 1