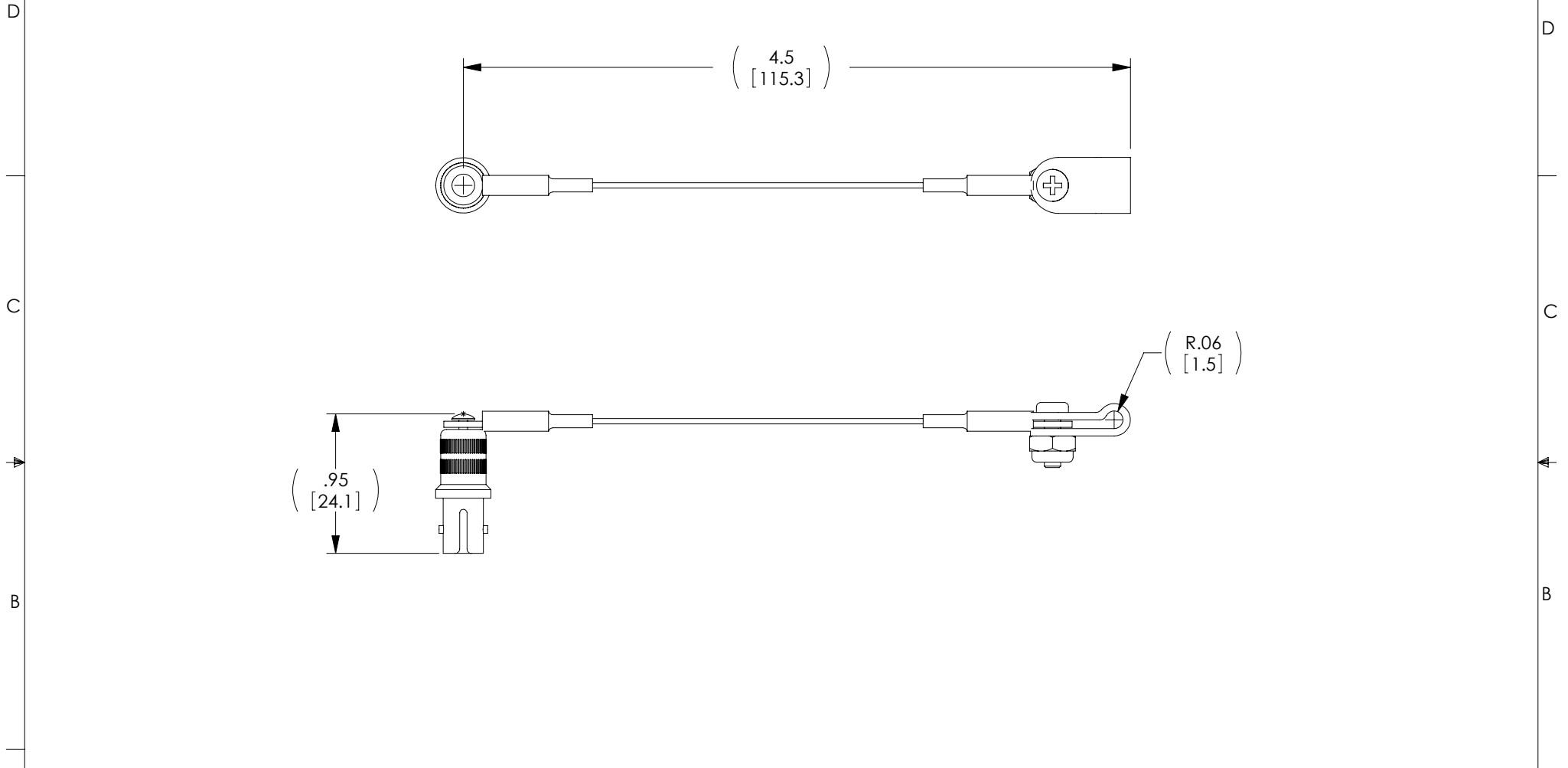


THE INFORMATION CONTAINED IN THIS DRAWING IS THE SOLE PROPERTY OF L-COM, INC. ANY REPRODUCTION IN PART OR WHOLE WITHOUT THE WRITTEN PERMISSION OF L-COM, INC. IS PROHIBITED.

REVISIONS			
REV	DESCRIPTION	DATE	APPROVED
A	INITIAL RELEASE	4/5/12	D.GRIFFIN



NOTES:

MATERIAL:
 BODY: BRASS, NICKEL PLATED.
 LANYARD: STAINLESS STEEL, NYLON COATED.

APPLICATION: ST CONNECTOR

COMPONENT ASSEMBLY SHALL BE INDIVIDUALLY PACKAGED
 IN A POLY BAG.

RoHS Compliant ✓

UNLESS OTHERWISE SPECIFIED, DIMENSIONS ARE IN INCHES [mm] OVERALL CABLE LENGTH TOLERANCE: ≤12 [305] = +1 [25] / -0 >12 [305] ≤60 [1524] = +2 [51] / -0 >60 [1524] ≤120 [3048] = +4 [102] / -0 >120 [3048] ≤300 [7620] = +6 [152] / -0 >300 [7620] = +3% / -0% ALL OTHER DIMENSIONAL TOLERANCES: .X = ±.2 .XX = ±.02 .XXX = ±.005	APPROVALS DRAWN BY D.FRISIELLO	DATE 3/26/12		45 BEECHWOOD DRIVE NORTH ANDOVER, MA 01845		
	CHECKED BY D.GUITADAURO APPROVED BY D.GALLAGHER	DATE 3/26/12 3/26/12		CATEGORY FIBER OPTICS		
PROJECTION 	CONFIGURATION DETAILS OF UNDIMENSIONED FEATURES MAY VARY	PRODUCT DESCRIPTION DUST CAP ST, W/LANYARD, NPB	SIZE A	FSCM NO. 43321	DWG. NO. DSTCP-RSTN	REV. A
COLOR VARIATIONS MAY OCCUR		SCALE: NONE	CAD FILE: DSTCP-RSTN.SLDDRW	SHEET 1 OF 1		