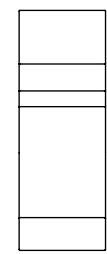
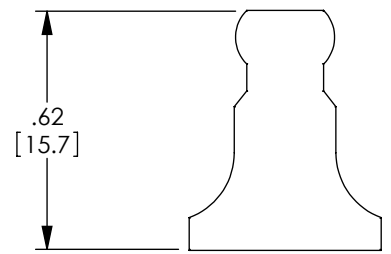
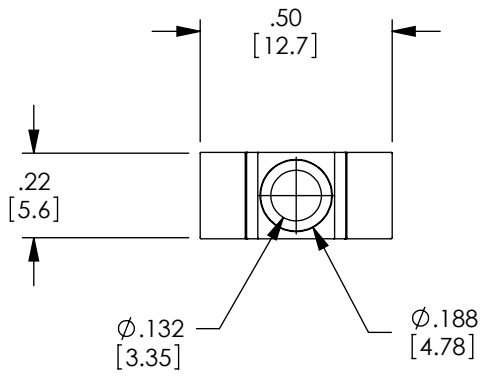


THE INFORMATION CONTAINED IN THIS DRAWING IS THE SOLE PROPERTY OF L-COM, INC. ANY REPRODUCTION IN PART OR WHOLE WITHOUT THE WRITTEN PERMISSION OF L-COM, INC. IS PROHIBITED.

REVISIONS			
REV	DESCRIPTION	DATE	APPROVED
A	INITIAL RELEASE	10/25/10	D.GRIFFIN




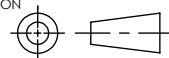
NOTES:

MATERIAL: THERMOPLASTIC
COLOR: BLACK

COMPONENT PACKAGED IN QUANTITY OF 10.

ALL DIMENSIONS ARE FOR REFERENCE ONLY.

RoHS Compliant ✓

UNLESS OTHERWISE SPECIFIED, DIMENSIONS ARE IN INCHES [mm] DIMENSIONAL TOLERANCES: .X = ±.1 .XX = ±.01 .XXX = ±.005 ANGULAR TOLERANCES: ALL = ± 1°	APPROVALS	DATE	 45 BEECHWOOD DRIVE NORTH ANDOVER, MA 01845
	DRAWN BY D.FRISIELLO	10/20/10	
PROJECTION 	CHECKED BY D.CASTRO	10/20/10	CATEGORY FIBER OPTIC
	APPROVED BY D.GALLAGHER	10/20/10	PRODUCT DESCRIPTION DUST CAP FOR SC FIBER COUPLER
COLOR VARIATIONS MAY OCCUR	SIZE A	FSCM NO. 43321	DWG. NO. DSTCP-SC
SCALE: NONE		CAD FILE: DSTCP-SC.SLDDRW	
			SHEET 1 OF 1