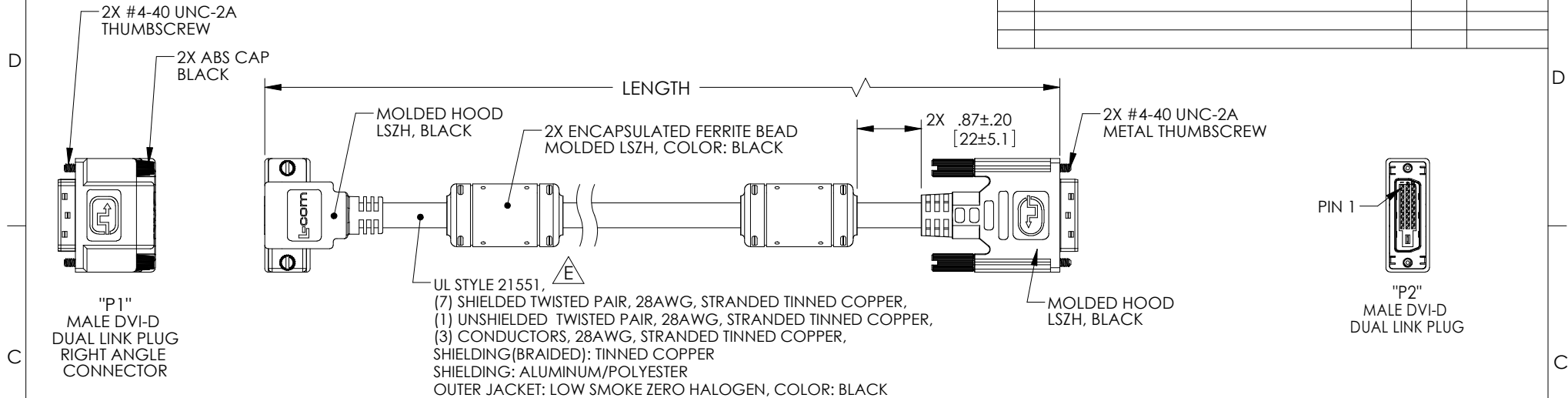

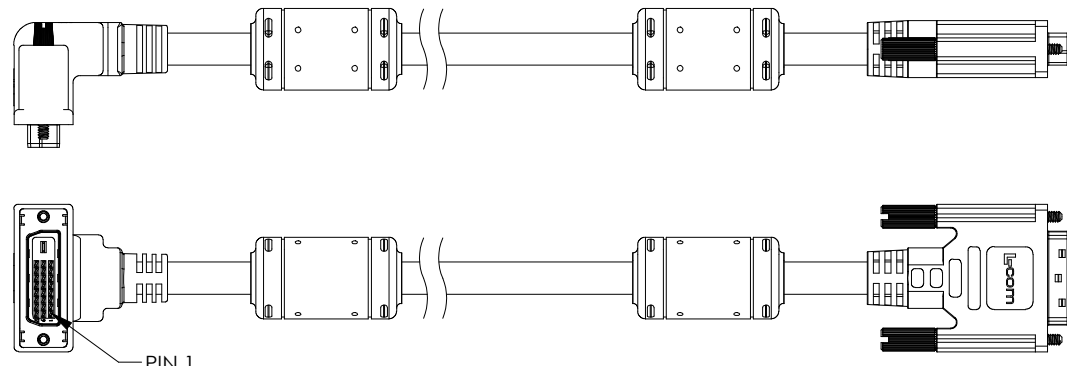


THE INFORMATION CONTAINED IN THIS DRAWING IS THE SOLE PROPERTY OF L-COM, INC. ANY REPRODUCTION IN PART OR WHOLE WITHOUT THE WRITTEN PERMISSION OF L-COM, INC. IS PROHIBITED.

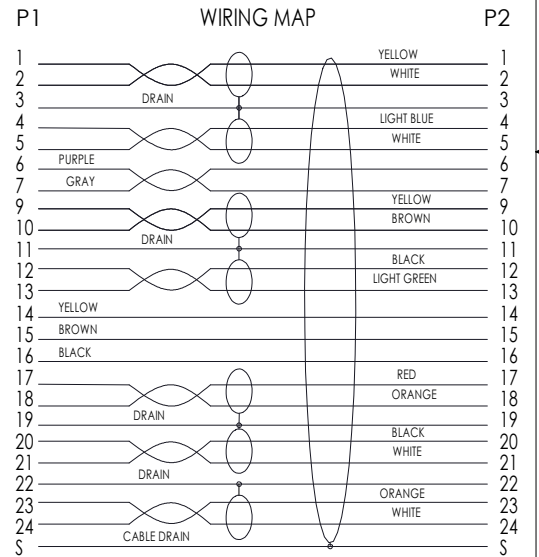
REVISIONS			
REV	DESCRIPTION	DATE	APPROVED
E	ECN 10838: REVISE UL STYLE TO 21551, ADD LSZH CBL CHARACTERISTICS TO DWG, NEW FORMAT	12/10/2020	M. BLACKWOOD



UL STYLE 21551, 
 (7) SHIELDED TWISTED PAIR, 28AWG, STRANDED TINNED COPPER,
 (1) UNSHIELDED TWISTED PAIR, 28AWG, STRANDED TINNED COPPER,
 (3) CONDUCTORS, 28AWG, STRANDED TINNED COPPER,
 SHIELDING (BRAIDED): TINNED COPPER
 SHIELDING: ALUMINUM/POLYESTER
 OUTER JACKET: LOW SMOKE ZERO HALOGEN, COLOR: BLACK




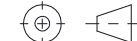
PART NUMBER	LENGTH	
	FEET	METERS
DVIDD-RA2Z-1	1.0	[.30]
DVIDD-RA2Z-3	3.0	[.91]
DVIDD-RA2Z-5	5.0	[1.52]
DVIDD-RA2Z-10	10.0	[3.05]
DVIDD-RA2Z-15	15.0	[4.57]



NOTES:

1. CABLE ASSEMBLY TO BE TESTED FOR CONTINUITY
2. CABLE ASSEMBLY TO BE INDIVIDUALLY PACKAGED IN ACCORDANCE WITH L-COM SPEC. PS-0031.
3. DUST COVERS INSTALLED FOR SHIPPING (NOT SHOWN).

LSZH CABLE CHARACTERISTICS: 
 FLAME RATING: IEC 60332-1
 CORROSIVE GAS: IEC 60754
 SMOKE EMISSION: IEC 61034

UNLESS OTHERWISE SPECIFIED, DIMENSIONS ARE IN INCHES [mm]	APPROVALS	DATE
OVERALL CABLE LENGTH TOLERANCE: ≤ 12 [305] = +1 [25] / -0 > 12 [305] ≤ 60 [1524] = +2 [51] / -0 > 60 [1524] ≤ 120 [3048] = +4 [102] / -0 > 120 [3048] ≤ 300 [7620] = +6 [152] / -0 > 300 [7620] = +5% / -0	DRAWN BY D. PARHAM	12/16/2011
ALL OTHER DIMENSIONAL TOLERANCES: .X = ± .2 [5] FRACTIONS .XX = ± .02 [5] ± 1/32 .XXX = ± .005 [13] ANGLES ± 1°	CHECKED BY D. FRISIELLO	12/16/2011
THIRD-ANGLE PROJECTION 	APPROVED BY P. McNEIL	12/16/2011
	CONFIGURATION DETAILS OF UNDIMENSIONED FEATURES MAY VARY	
	COLOR VARIATIONS MAY OCCUR	
	REF	

		50 High Street, West Mill, North Andover, MA 01845 USA. Phone: 1.800.341.5266 1.978.682.6936	
CATEGORY		AUDIO/VIDEO	
PRODUCT DESCRIPTION			
CBL DVI-D DL RAZ			
SIZE	CAGE CODE	DWG. NO.	REV.
A	43321	DVIDD-RA2Z	E
SCALE: NONE	CAD FILE: DVIDD-RA2Z.SLDRW	SHEET 1 OF 1	