

THE INFORMATION CONTAINED IN THIS DRAWING IS THE SOLE PROPERTY OF L-COM, INC. ANY REPRODUCTION IN PART OR WHOLE WITHOUT THE WRITTEN PERMISSION OF L-COM, INC. IS PROHIBITED.

REVISIONS			
REV	DESCRIPTION	DATE	APPROVED
A	INITIAL RELEASE	11/9/11	D.GRIFFIN
B	ECN 5837: ADDED LOGO	11/16/11	D. CASTRO
C	ECN8182: UPT DWG FROM MOLDED THUMBSCREW TO METAL THUMBSCREW	11/30/2015	B.ZHANG

2X 4-40 UNC-2A METAL THUMBSCREW

MOLDED PVC HOOD, COLOR: BLACK

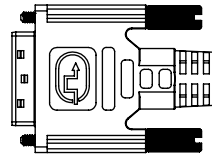
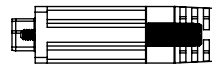
REGULATORY COMPLIANCE:
CE2011/65/EU (RoHS DIRECTIVE)

"P1"



2X MALE DVI-D DUAL LINK CONNECTOR

PIN 1



UL STYLE 20276,
(7) SHIELDED TWISTED PAIR, 28AWG, STRANDED TINNED COPPER,
(1) UNSHIELDED TWISTED PAIR, 28AWG, STRANDED TINNED COPPER,
(3) CONDUCTORS, 28AWG, STRANDED TINNED COPPER,
SHIELDING (BRAIDED): 36AWG TINNED COPPER
SHIELDING: ALUMINUM/POLYESTER
OUTER JACKET: PVC; BLACK

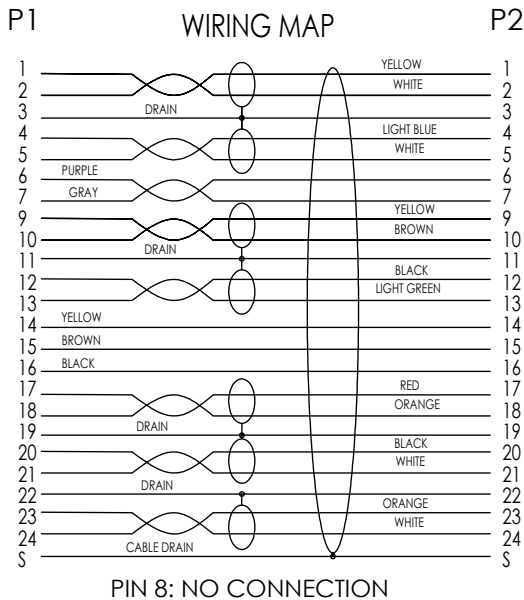
LENGTH

MOLDED PVC HOOD, COLOR: BLACK

PIN 1

2X 4-40 UNC-2A THUMBSCREW

"P2"



NOTES:

1. CABLE ASSEMBLY SHALL BE TESTED FOR CONTINUITY.
2. CABLE ASSEMBLY SHALL BE INDIVIDUALLY PACKAGED IN ACCORDANCE WITH L-COM SPECIFICATION PS-0031.
3. DUST COVERS INSTALLED FOR SHIPPING (NOT SHOWN).

REGULATORY COMPLIANCE:
CE2011/65/EU (RoHS DIRECTIVE)

MODEL NUMBER	LENGTH	
	FEET	METERS
DVIDD-RA3-1	1.0	0.3
DVIDD-RA3-3	3.0	[0.91]
DVIDD-RA3-5	5.0	[1.52]
DVIDD-RA3-10	10.0	[3.05]
DVIDD-RA3-15	15.0	[4.57]

UNLESS OTHERWISE SPECIFIED, DIMENSIONS ARE IN INCHES [mm] OVERALL CABLE LENGTH TOLERANCE: ≤ 12 [305] = +1 [25] / -0 > 12 [305] ≤ 60 [1524] = +2 [51] / -0 > 60 [1524] ≤ 120 [3048] = +4 [102] / -0 > 120 [3048] ≤ 300 [7620] = +6 [152] / -0 > 300 [7620] = +5% / -0% ALL OTHER DIMENSIONAL TOLERANCES: .X = ±.2 [5.08] .XX = ±.02 [51] .XXX = ±.005 [13]	APPROVALS DRAWN BY D. PARHAM CHECKED BY D. CASTRO APPROVED BY P. McNEIL	DATE 10/26/2011 11/07/2011 11/08/2011	45 BEECHWOOD DRIVE NORTH ANDOVER, MA 01845
	PROJECTION 	CONFIGURATION DETAILS OF UNDIMENSIONED FEATURES MAY VARY COLOR VARIATIONS MAY OCCUR	
SCALE: NONE		FSCM NO. A 43321	DWG. NO. DVIDD-RA3
SHEET 1 OF 1		CAD FILE: DVIDD-RA3.SLDRW	