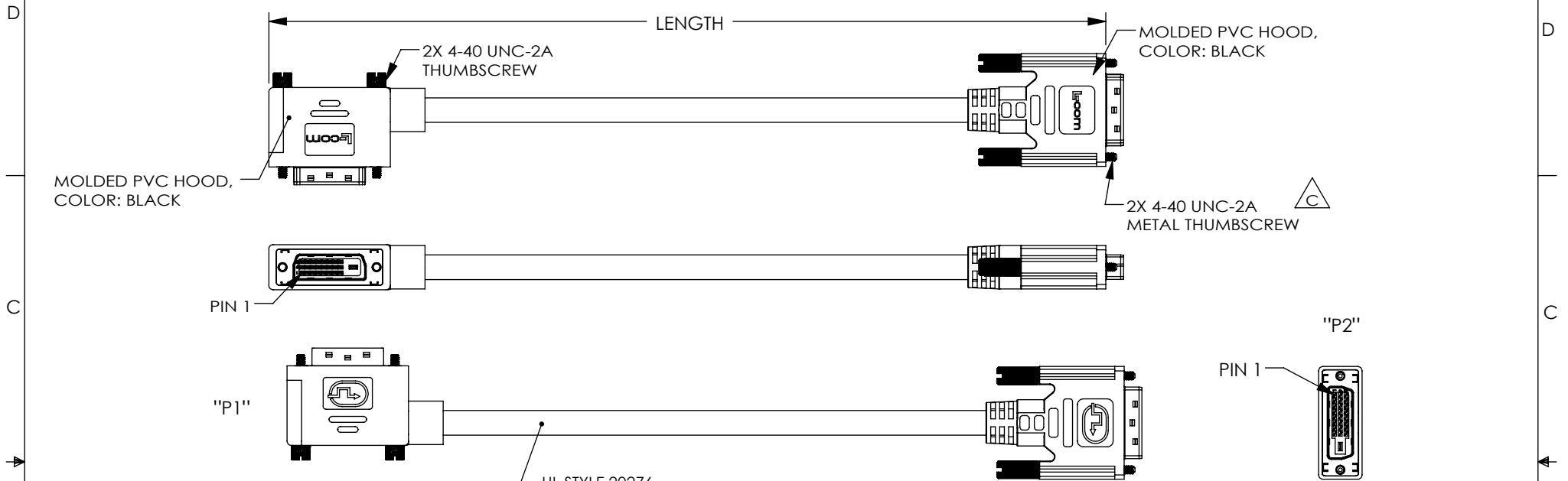
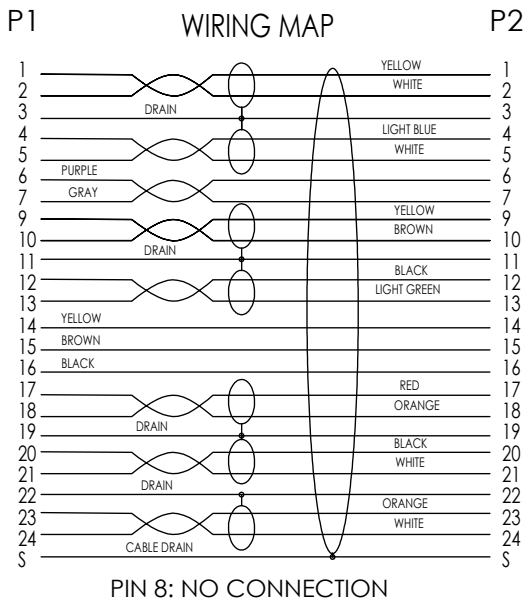


THE INFORMATION CONTAINED IN THIS DRAWING IS THE SOLE PROPERTY OF L-COM, INC. ANY REPRODUCTION IN PART OR WHOLE WITHOUT THE WRITTEN PERMISSION OF L-COM, INC. IS PROHIBITED.

REVISIONS			
REV	DESCRIPTION	DATE	APPROVED
A	INITIAL RELEASE	11/9/11	D.GRIFFIN
B	ECN 5837: ADDED LOGO	11/16/11	D. CASTRO
C	ECN8182: UPT DWG FROM MOLDED THUMBSCREW TO METAL THUMBSCREW	11/30/2015	B.ZHANG



UL STYLE 20276,
 (7) SHIELDED TWISTED PAIR, 28AWG, STRANDED TINNED COPPER,
 (1) UNSHIELDED TWISTED PAIR, 28AWG, STRANDED TINNED COPPER,
 (3) CONDUCTORS, 28AWG, STRANDED TINNED COPPER,
 SHIELDING(BRAIDED): 36AWG TINNED COPPER
 SHIELDING: ALUMINUM/POLYESTER
 OUTER JACKET: PVC; BLACK



NOTES:

1. CABLE ASSEMBLY SHALL BE TESTED FOR CONTINUITY.
2. CABLE ASSEMBLY SHALL BE INDIVIDUALLY PACKAGED IN ACCORDANCE WITH L-COM SPECIFICATION PS-0031.
3. DUST COVERS INSTALLED FOR SHIPPING (NOT SHOWN).

REGULATORY COMPLIANCE:
 CE2011/65/EU (RoHS DIRECTIVE)

MODEL NUMBER	LENGTH	
	FEET	METERS
DVIDD-RA4-1	1.0	0.3
DVIDD-RA4-3	3.0	0.91
DVIDD-RA4-5	5.0	1.52
DVIDD-RA4-10	10.0	3.05
DVIDD-RA4-15	15.0	4.57

UNLESS OTHERWISE SPECIFIED, DIMENSIONS ARE IN INCHES [mm] OVERALL CABLE LENGTH TOLERANCE: ≤12 [305] = +1 [25] / -0 >12 [305] ≤60 [1524] = +2 [51] / -0 >60 [1524] ≤120 [3048] = +4 [102] / -0 >120 [3048] ≤300 [7620] = +6 [152] / -0 >300 [7620] = +5% / -0%	APPROVALS DRAWN BY D. PARHAM	DATE 10/27/2011		45 BEECHWOOD DRIVE NORTH ANDOVER, MA 01845
	ALL OTHER DIMENSIONAL TOLERANCES: .X = ±.2 [5.08] .XX = ±.02 [1.51] .XXX = ±.005 [1.3]	CHECKED BY D. CASTRO		11/07/2011
PROJECTION 	APPROVED BY P. McNEIL	11/08/2011	PRODUCT DESCRIPTION CA-DVI DL M/M RA RT EXIT	
	CONFIGURATION DETAILS OF UNDIMENSIONED FEATURES MAY VARY		SIZE A	FSCM NO. 43321
	COLOR VARIATIONS MAY OCCUR		DWG. NO. DVIDD-RA4	REV. C
			SCALE: NONE	CAD FILE: DVIDD-RA4.SLDRW
				SHEET 1 OF 1