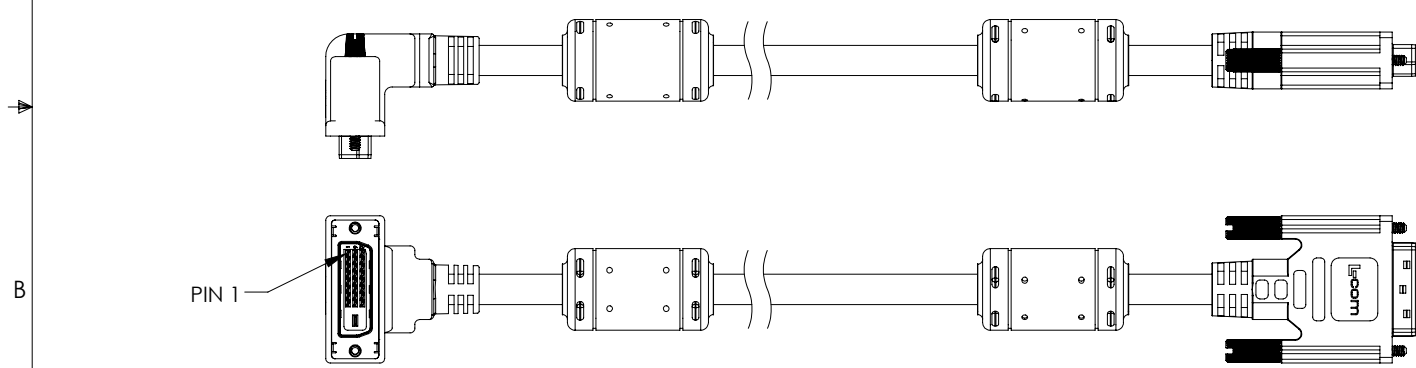
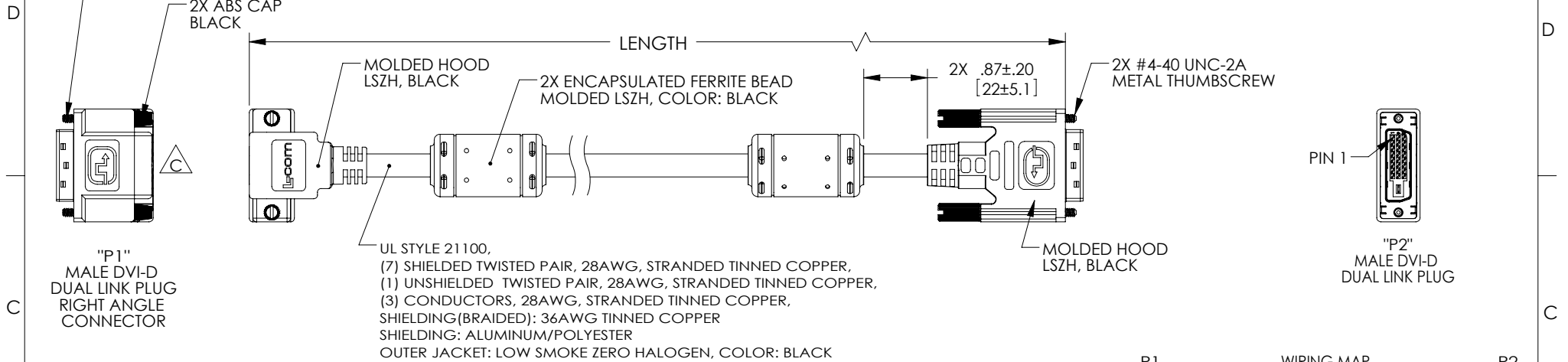
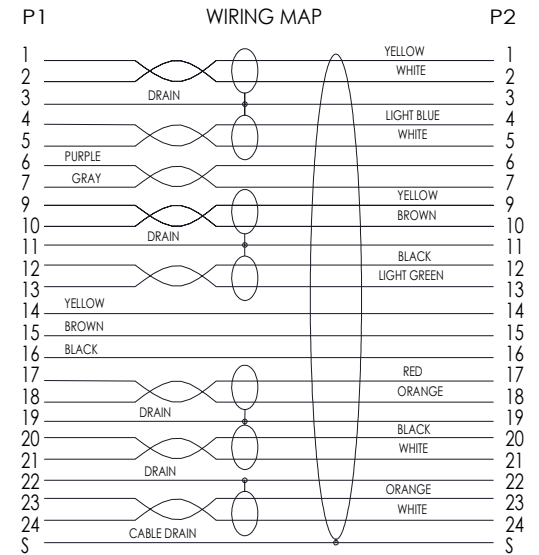


THE INFORMATION CONTAINED IN THIS DRAWING IS THE SOLE PROPERTY OF L-COM, INC. ANY REPRODUCTION IN PART OR WHOLE WITHOUT THE WRITTEN PERMISSION OF L-COM, INC. IS PROHIBITED.

REVISIONS			
REV	DESCRIPTION	DATE	APPROVED
A	INITIAL RELEASE	12/21/11	D.GRIFFIN
B	ECN8182; UPT DWG FROM MOLDED THUMBSCREW TO METAL THUMBSCREW	11/28/2015	B.ZHANG
C	ECN_8257; CHANGE DVI ICON TO THE RIGHT ORIENTATION	2/18/2016	B.ZHANG



PART NUMBER	LENGTH	
	FEET	METERS
DVIDD-RAZ-1	1.0	[.30]
DVIDD-RAZ-3	3.0	[.91]
DVIDD-RAZ-5	5.0	[1.52]
DVIDD-RAZ-10	10.0	[3.05]
DVIDD-RAZ-15	15.0	[4.57]



PIN 8: NO CONNECTION

- NOTES:**
- CABLE ASSEMBLY TO BE TESTED FOR CONTINUITY
  - CABLE ASSEMBLY TO BE INDIVIDUALLY PACKAGED IN ACCORDANCE WITH L-COM SPEC. PS-0031.
  - DUST COVERS INSTALLED FOR SHIPPING (NOT SHOWN).

**REGULATORY COMPLIANCE:**  
CE2011/65/EU (RoHS DIRECTIVE)

UNLESS OTHERWISE SPECIFIED, DIMENSIONS ARE IN INCHES [mm] OVERALL CABLE LENGTH TOLERANCE: ≤12 [305] = +1 [25] / -0 >12 [305] ≤60 [1524] = +2 [51] / -0 >60 [1524] ≤120 [3048] = +4 [102] / -0 >120 [3048] ≤300 [7620] = +6 [152] / -0 >300 [7620] = +3% / -0%	APPROVALS DRAWN BY D. PARHAM CHECKED BY D. FRISIELLO APPROVED BY P. MCNEIL	DATE 12/16/2011 12/16/2011 12/16/2011	<p>45 BEECHWOOD DRIVE NORTH ANDOVER, MA 01845</p>		
	ALL OTHER DIMENSIONAL TOLERANCES: .X = ±.2 [5.08] .XX = ±.02 [1.51] .XXX = ±.005 [1.3]	CONFIGURATION DETAILS OF UNDIMENSIONED FEATURES MAY VARY		CATEGORY AUDIO/VIDEO	PRODUCT DESCRIPTION CBL DVI-D DL RA LSZH
PROJECTION 	COLOR VARIATIONS MAY OCCUR	SIZE <b>A</b>	FSCM NO. <b>43321</b>	DWG. NO. DVIDD-RAZ	REV. <b>C</b>
REF		SCALE: NONE	CAD FILE: DVIDD-RAZ.SLDRW	SHEET 1 OF 1	