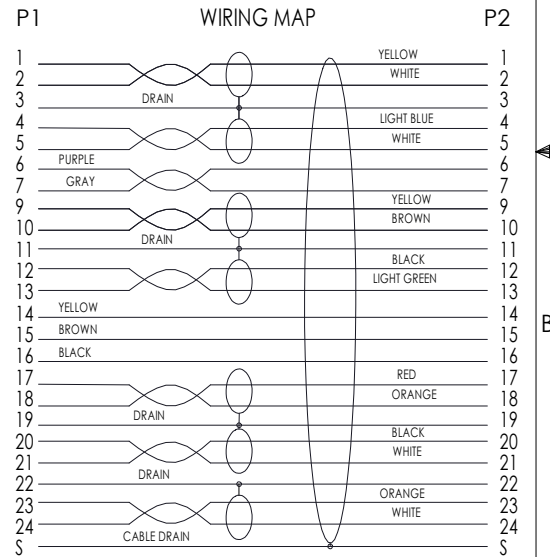
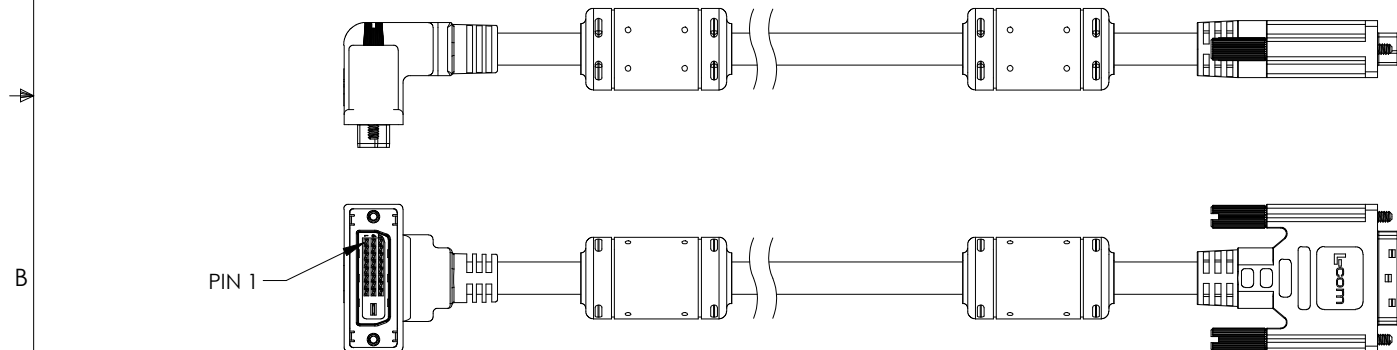
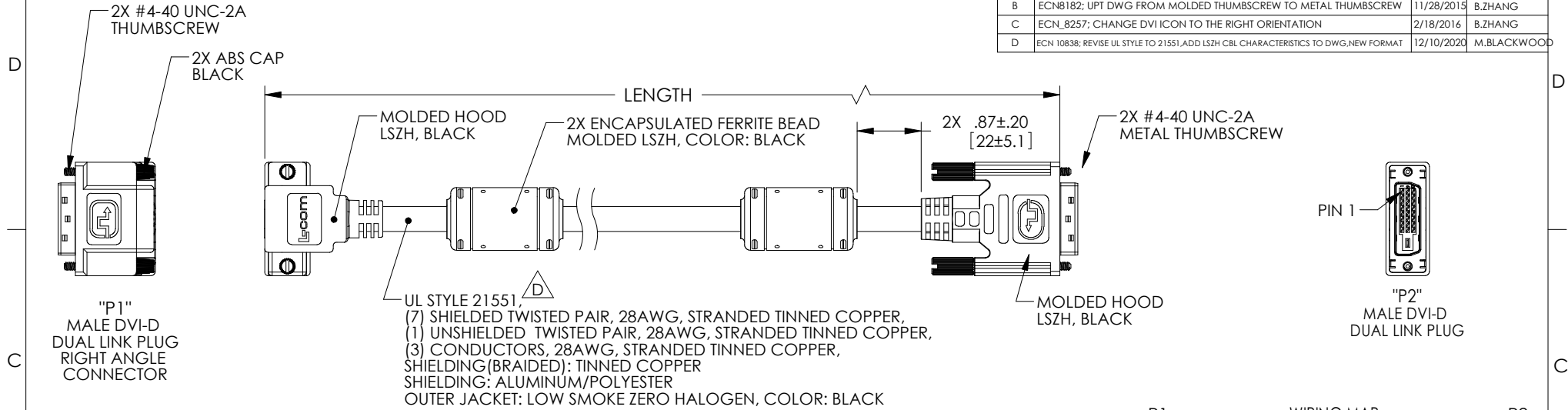


THE INFORMATION CONTAINED IN THIS DRAWING IS THE SOLE PROPERTY OF L-COM, INC. ANY REPRODUCTION IN PART OR WHOLE WITHOUT THE WRITTEN PERMISSION OF L-COM, INC. IS PROHIBITED.

REVISIONS			
REV	DESCRIPTION	DATE	APPROVED
A	INITIAL RELEASE	12/21/11	D.GRIFFIN
B	ECN8182; UPT DWG FROM MOLDED THUMBSCREW TO METAL THUMBSCREW	11/28/2015	B.ZHANG
C	ECN_8257; CHANGE DVI ICON TO THE RIGHT ORIENTATION	2/18/2016	B.ZHANG
D	ECN 10838; REVISE UL STYLE TO 21551, ADD LSZH CBL CHARACTERISTICS TO DWG, NEW FORMAT	12/10/2020	M.BLACKWOOD



PIN 8: NO CONNECTION

PART NUMBER	LENGTH	
	FEET	METERS
DVIDD-RAZ-1	1.0	[.30]
DVIDD-RAZ-3	3.0	[.91]
DVIDD-RAZ-5	5.0	[1.52]
DVIDD-RAZ-10	10.0	[3.05]
DVIDD-RAZ-15	15.0	[4.57]

**NOTES:**

1. CABLE ASSEMBLY TO BE TESTED FOR CONTINUITY
2. CABLE ASSEMBLY TO BE INDIVIDUALLY PACKAGED IN ACCORDANCE WITH L-COM SPEC. PS-0031.
3. DUST COVERS INSTALLED FOR SHIPPING (NOT SHOWN).

**LSZH CABLE CHARACTERISTICS:**

FLAME RATING: IEC 60332-1

CORROSIVE GAS: IEC 60754

SMOKE EMISSION: IEC 61034

UNLESS OTHERWISE SPECIFIED, DIMENSIONS ARE IN INCHES [mm] OVERALL CABLE LENGTH TOLERANCE: ≤12 [305] = +1 [25] / -0 >12 [305] ≤60 [1524] = +2 [51] / -0 >60 [1524] ≤120 [3048] = +4 [102] / -0 >120 [3048] ≤300 [7620] = +6 [152] / -0 >300 [7620] = +5% / -0 ALL OTHER DIMENSIONAL TOLERANCES: .X = ± .2 [5] FRACTIONS .XX = ± .02 [5] ± 1/32 .XXX = ± .005 [13] ANGLES ± 1°	APPROVALS DRAWN BY D. PARHAM 12/16/2011 CHECKED BY D. FRISIELLO 12/16/2011 APPROVED BY P. McNEIL 12/16/2011	DATE 12/16/2011	50 High Street, West Mill, North Andover, MA 01845 USA. Phone: 1.800.341.5266 1.978.682.6936
	CONFIGURATION DETAILS OF UNDIMENSIONED FEATURES MAY VARY	CATEGORY <b>AUDIO/VIDEO</b>	
THIRD-ANGLE PROJECTION	COLOR VARIATIONS MAY OCCUR	SIZE <b>A</b> CAGE CODE <b>43321</b> DWG. NO. <b>DVIDD-RAZ</b>	REV. <b>D</b>
REF		SCALE: NONE CAD FILE: DVIDD-RAZ.SLDDRW	SHEET 1 OF 1