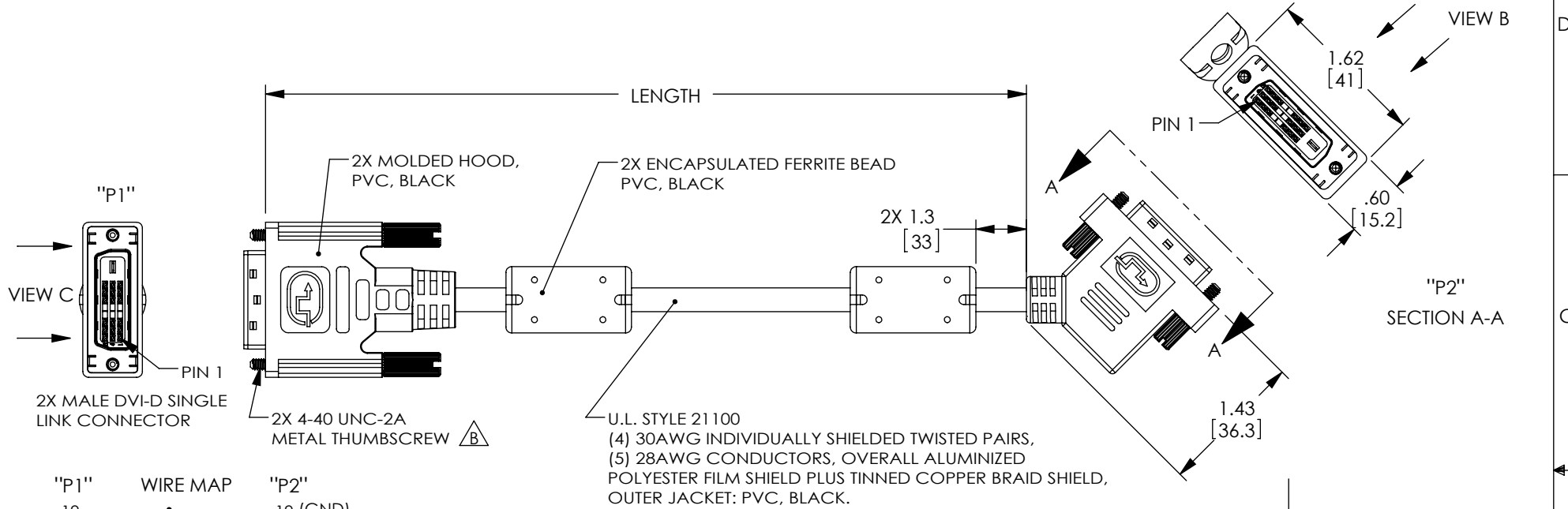


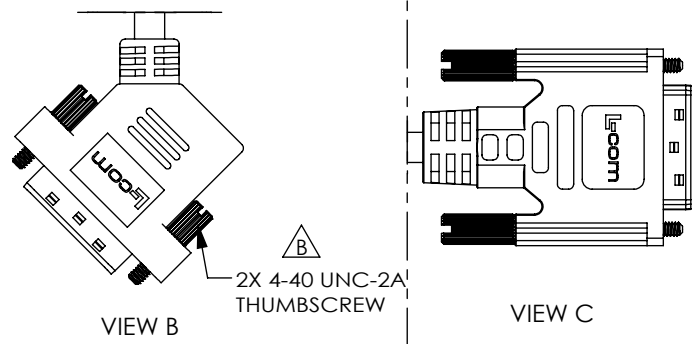
THE INFORMATION CONTAINED IN THIS DRAWING IS THE SOLE PROPERTY OF L-COM, INC. ANY REPRODUCTION IN PART OR WHOLE WITHOUT THE WRITTEN PERMISSION OF L-COM, INC. IS PROHIBITED.

REVISIONS			
REV	DESCRIPTION	DATE	APPROVED
A	INITIAL RELEASE	11/17/11	D.GRIFFIN
B	ECN8182; UPT DWG FROM MOLDED THUMBSCREW TO METAL THUMBSCREW	11/30/2013	-



"P1"	WIRE MAP	"P2"
19		19 (GND)
18		18 (LT. GREEN)
17		17 (BLACK)
10		10 (YELLOW)
9		9 (BROWN)
11		11 (GND)
15		15 (BLACK)
14		14 (BROWN)
2		2 (RED)
1		1 (ORANGE)
3		3 (GND)
22		22 (GND)
23		23 (LT. BLUE)
24		24 (WHITE)
16		16 (ORANGE)
7		7 (YELLOW)
6		6 (WHITE)
SHELL		SHELL (SHIELD DRAIN WIRE)

MODEL NO.	LENGTH, METERS [FEET]
DVIDSL-45-0.5M	0.5 [1.64]
DVIDSL-45-1M	1.0 [3.28]
DVIDSL-45-2M	2.0 [6.56]
DVIDSL-45-3M	3.0 [9.84]
DVIDSL-45-4M	4.0 [13.12]
DVIDSL-45-5M	5.0 [16.41]



- NOTES:**
- CABLE ASSEMBLY SHALL BE TESTED FOR CONTINUITY.
 - CABLE ASSEMBLY SHALL BE INDIVIDUALLY PACKAGED IN ACCORDANCE WITH L-COM SPECIFICATION PS-0031.
 - DUST COVERS INSTALLED FOR SHIPPING (NOT SHOWN).
 - ALL DIMENSIONS ARE FOR REFERENCE ONLY.

REGULATORY COMPLIANCE:
CE2011/65/EU (RoHS DIRECTIVE)

UNLESS OTHERWISE SPECIFIED, DIMENSIONS ARE IN INCHES [mm] OVERALL CABLE LENGTH TOLERANCE: ≤ 12 [305] ≤ 60 [1524] ≤ 125 [3175] / -0 > 12 [305] ≤ 60 [1524] ≤ 125 [3175] = +2 [51] / -0 > 60 [1524] ≤ 120 [3048] = +4 [102] / -0 > 120 [3048] ≤ 300 [7620] = +6 [152] / -0 > 300 [7620] = +5% / -0% ALL OTHER DIMENSIONAL TOLERANCES: .XX = ± 2 [5.08] .XX = ± .02 [51] .XXX = ± 0.05 [1.27]	APPROVALS DRAWN BY D. CASTRO CHECKED BY D. PARHAM APPROVED BY P. McNEIL	DATE 11/17/11 11/17/11 11/17/11	L-com Global Connectivity 45 BEECHWOOD DRIVE NORTH ANDOVER, MA 01845
	CONFIGURATION DETAILS OF UNDIMENSIONED FEATURES MAY VARY		CATEGORY VIDEO
	COLOR VARIATIONS MAY OCCUR		PRODUCT DESCRIPTION CBL DVI-D M/45 DEG DVI-D M W/FERR
	PROJECTION 	SIZE A	FSCM NO. 43321

SCALE: NONE CAD FILE: DVIDSL-45-M.SLDDRW SHEET 1 OF 1