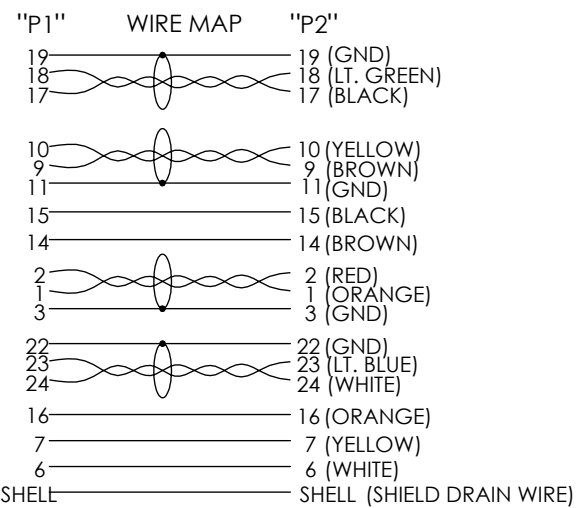
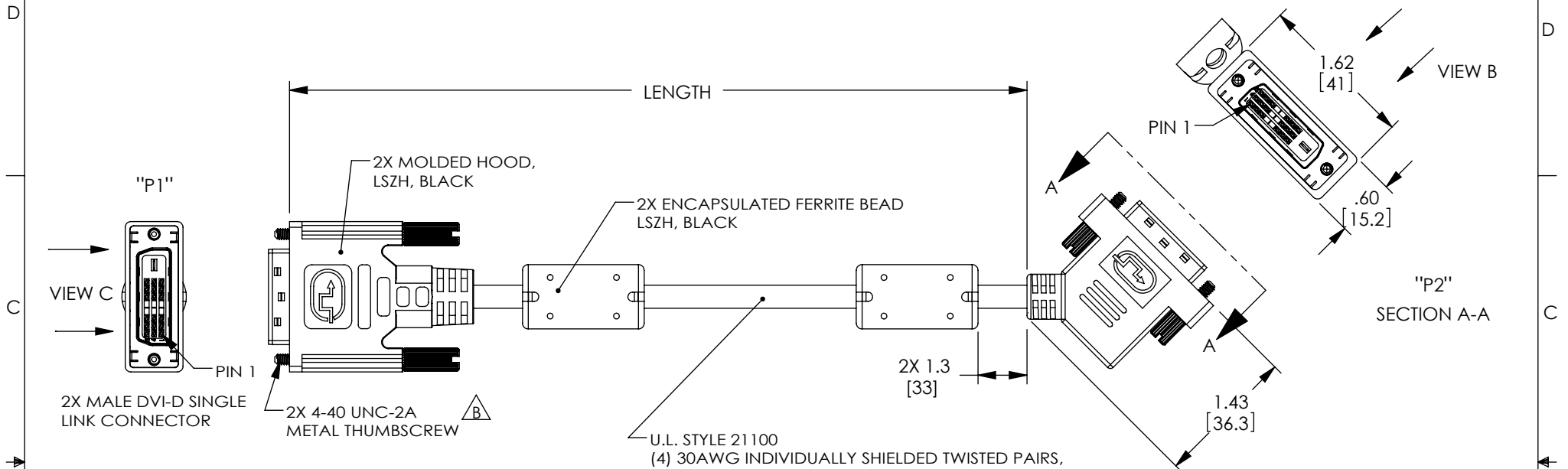
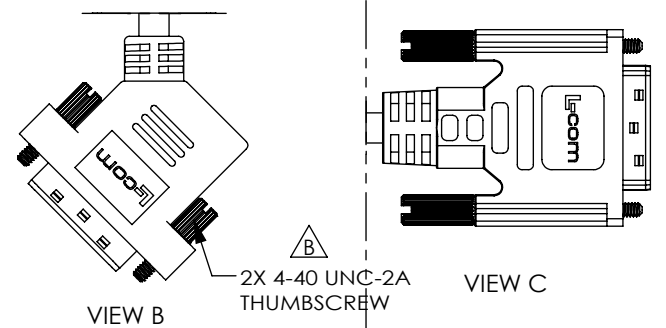


THE INFORMATION CONTAINED IN THIS DRAWING IS THE SOLE PROPERTY OF L-COM, INC. ANY REPRODUCTION IN PART OR WHOLE WITHOUT THE WRITTEN PERMISSION OF L-COM, INC. IS PROHIBITED.

REVISIONS			
REV	DESCRIPTION	DATE	APPROVED
A	INITIAL RELEASE	11/17/11	D.GRIFFIN
B	ECN8182:UPT DWG FROM MOLDED THUMBSCREW TO METAL THUMBSCREW	11/30/2015	B.ZHANG



MODEL NO.	LENGTH, METERS [FEET]
DVIDSLZ-45-0.5M	0.5 [1.64]
DVIDSLZ-45-1M	1.0 [3.28]
DVIDSLZ-45-2M	2.0 [6.56]
DVIDSLZ-45-3M	3.0 [9.84]
DVIDSLZ-45-4M	4.0 [13.12]
DVIDSLZ-45-5M	5.0 [16.41]



- NOTES:**
- CABLE ASSEMBLY SHALL BE TESTED FOR CONTINUITY.
  - CABLE ASSEMBLY SHALL BE INDIVIDUALLY PACKAGED IN ACCORDANCE WITH L-COM SPECIFICATION PS-0031.
  - DUST COVERS INSTALLED FOR SHIPPING (NOT SHOWN).
  - ALL DIMENSIONS ARE FOR REFERENCE ONLY.

**REGULATORY COMPLIANCE:**  
CE2011/65/EU (RoHS DIRECTIVE)

UNLESS OTHERWISE SPECIFIED, DIMENSIONS ARE IN INCHES [mm] OVERALL CABLE LENGTH TOLERANCE: ≤12 [305] = +1 [25] / -0 >12 [305] ≤60 [1524] = +2 [51] / -0 >60 [1524] ≤120 [3048] = +4 [102] / -0 >120 [3048] ≤300 [7620] = +6 [152] / -0 >300 [7620] = +5% / -0%	APPROVALS	DATE		45 BEECHWOOD DRIVE NORTH ANDOVER, MA 01845
	DRAWN BY D. CASTRO	11/17/11		CATEGORY
ALL OTHER DIMENSIONAL TOLERANCES: .X = ±.2 [5.08] .XX = ±.02 [5.1] .XXX = ±.005 [1.3]	CHECKED BY D. PARHAM	11/17/11	PRODUCT DESCRIPTION	CBL DVI-D M/45 DEG DVI-D M LSZH W/FERR
PROJECTION	APPROVED BY P.McNEIL	11/17/11	CONFIGURATION DETAILS OF UNDIMENSIONED FEATURES MAY VARY	SCALE: NONE
	COLOR VARIATIONS MAY OCCUR	SIZE <b>A</b>	FSCM NO. <b>43321</b>	DWG. NO. DVIDSLZ-45-M
		SCALE: NONE	CAD FILE: DVIDSLZ-45-M.SLDRW	SHEET 1 OF 1