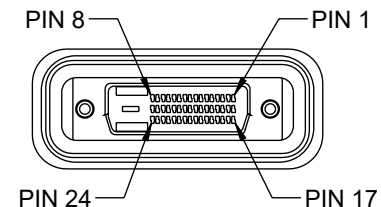
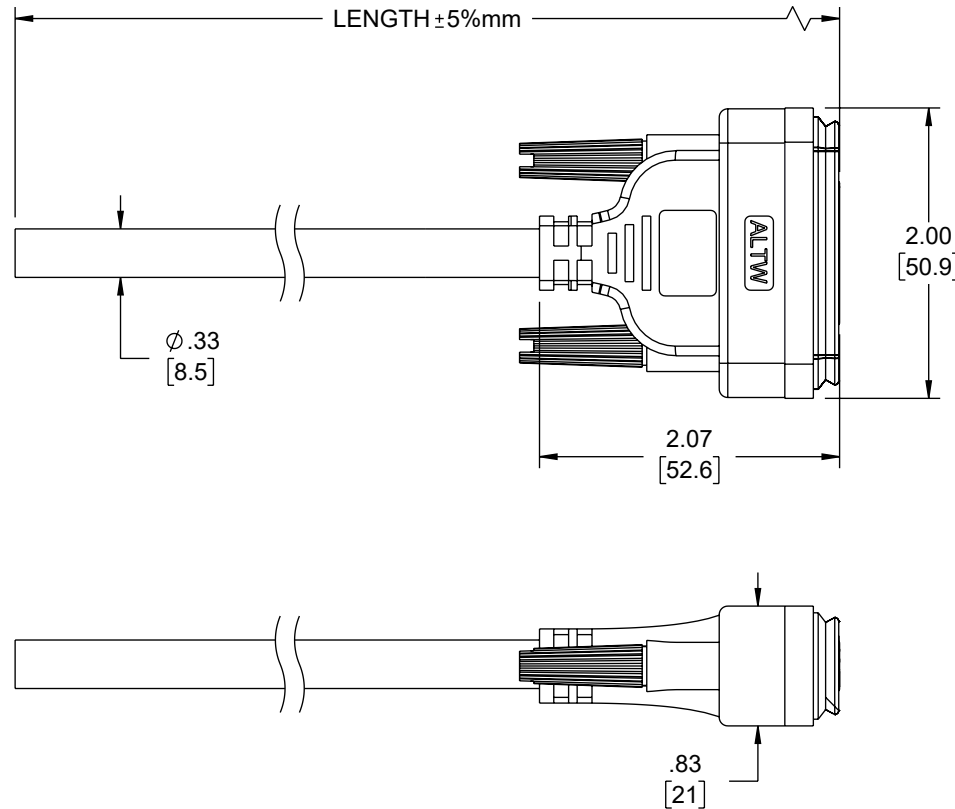


PIN OUT		
CONN	WIRE COLOR	WIRE TYPE
1	WHITE	1P+D+AL+MY
2	BROWN	
3	DRAIN	1P+D+AL+MY
	DRAIN	
4	WHITE	1P+D+AL+MY
5	RED	1C
6	RED	
7	PURPLE	1C
8		
9	WHITE	1P+D+AL+MY
10	GREEN	
11	DRAIN	1P+D+AL+MY
	DRAIN	
12	WHITE	1P+D+AL+MY
13	BLUE	1P
14	YELLOW	
15	ORANGE	1C
16	WHITE	1P+D+AL+MY
17	WHITE	
18	BLACK	1P+D+AL+MY
	DRAIN	
19	DRAIN	1P+D+AL+MY
	DRAIN	
20	WHITE	1P+D+AL+MY
21	ORANGE	1P+D+AL+MY
22	DRAIN	
23	YELLOW	1P+D+AL+MY
24	WHITE	

REVISION					
ZONE	REV	DESCRIPTION	DATE	CHANGED BY	APPROVED
	B	ECO-13922	10/07/2024	DMAY	DGUTTADAURO



NOTES:

- WATERPROOF RATING: IP67
- MATERIAL:
 - HOUSING: ABS, BLACK
 - PIN: COPPER ALLOY, GOLD PLATED
 - GASKET: EPDM, BLACK
 - SCREW: STEEL, NICKEL PLATED
 - CABLE: UL20276 (1P*28#+D+AL+MYLAR)*7C+1P*28#+3C*28#+AL+B, COLOR: BLACK, OD: 8.5mm
- CABLE ASSEMBLY SHALL BE TESTED FOR CONTINUITY.
- CABLE ASSEMBLY SHALL BE INDIVIDUALLY PACKAGED.

REGULATORY COMPLIANCE:
EU RoHS DIRECTIVE (MOST RECENT RELEASED VERSION).

ITEM NUMBER	LENGTH	
	METERS	FEET
DVWPDDL-MM-1M	1.0	3.28
DVWPDDL-MM-3M	3.0	9.84
DVWPDDL-MM-4M	4.0	13.12

THE INFORMATION CONTAINED IN THIS DRAWING IS THE SOLE PROPERTY OF INFINITE ELECTRONICS, INC. ANY REPRODUCTION IN PART OR WHOLE WITHOUT THE WRITTEN PERMISSION OF INFINITE ELECTRONICS, INC. IS PROHIBITED. THESE COMMODITIES, TECHNOLOGY OR SOFTWARE WERE EXPORTED FROM THE UNITED STATES IN ACCORDANCE WITH THE EXPORT ADMINISTRATION REGULATIONS. DIVERSION CONTRARY TO U.S. LAW PROHIBITED.

UNLESS OTHERWISE SPECIFIED LEADING DIMENSIONS ARE INCHES DIMENSIONS IN [] ARE MILLIMETERS

TOLERANCES:

X = ±.2 [5]	FRACTIONS
.XX = ±.02 [0.5]	± 1/32
.XXX = ±.005 [0.13]	ANGLES ± 1°

CABLE LENGTH TOLERANCES:

≤12 [305]	= +1 [25] / -0
>12 [305] ≤ 60 [1524]	= +2 [51] / -0
>60 [1524] ≤ 120 [3048]	= +4 [102] / -0
>120 [3048] ≤ 300 [7620]	= +6 [152] / -0
>300 [7620]	= +5% / -0

ALL DIMENSIONS ARE FOR REFERENCE ONLY AND SUBJECT TO CHANGE WITHOUT NOTICE. UN-DIMENSIONED NON-CRITICAL FEATURES MAY VARY IN SIZE AND LOCATION. COLORS MAY VARY.



Website: www.L-com.com
Phone: 1.800.341.5266 | 1.978.682.6936

INTERPRET ALL DIMENSIONS AND TOLERANCES PER ASME Y14.5

SCALE	SHEET
NONE	1 OF 1

DESCRIPTION				
WATERPROOF DVI-D CABLE, DUAL LINK, MALE TO MALE				
SIZE	CAGE CODE	DRAWN BY	ITEM NO.	REV
A	43321	HBAKKE	DVWPDDL-MM	B