

6

5

4

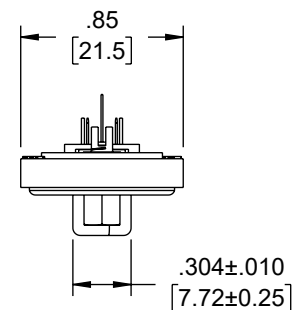
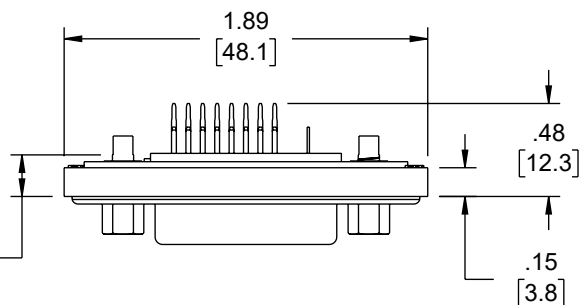
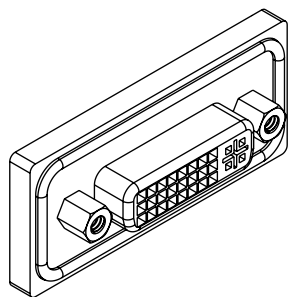
3

2

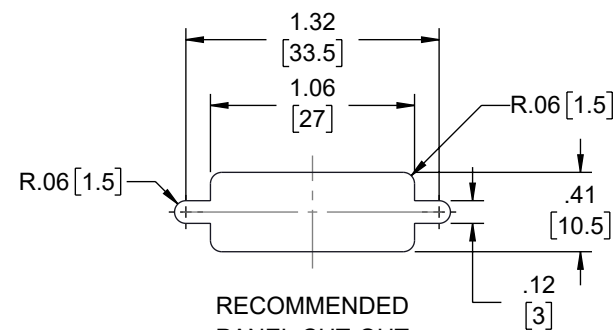
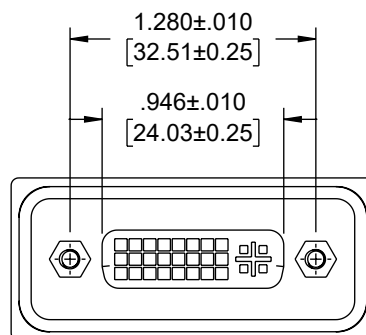
1

REVISION

ZONE	REV	DESCRIPTION	DATE	CHANGED BY	APPROVED
	A	INITIAL RELEASE	09/06/2024	HBAKKE	GUTTADAURO



SCREW LENGTH:
 FOR PANEL THICKNESS < .047 [1.2]: .197 [5]
 FOR PANEL THICKNESS .047[1.2] - .079 [2]: .236 [6]



NOTES:

1. WATERPROOF RATING: IP68, 1M DEPTH OF WATER FOR 24 HOURS
2. MATERIAL:
 - a. DVI CONN: NYLON 66, BLACK CORE
 - b. PLASTIC JACKET: NYLON+GF, BLACK
 - c. PIN: COPPER ALLOY, GOLD PLATED
 - d. RING: SILICONE, LIGHT BLUE
 - e. SCREW: #4-40 UNC, COPPER ALLOY, NICKEL PLATED
3. COMPONENT SHALL BE TESTED FOR CONTINUITY.
4. COMPONENT SHALL BE INDIVIDUALLY PACKAGED IAW L-COM SPECIFICATION PS-0031.

REGULATORY COMPLIANCE:
 EU RoHS DIRECTIVE (MOST RECENT RELEASED VERSION).

THE INFORMATION CONTAINED IN THIS DRAWING IS THE SOLE PROPERTY OF INFINITE ELECTRONICS, INC. ANY REPRODUCTION IN PART OR WHOLE WITHOUT THE WRITTEN PERMISSION OF INFINITE ELECTRONICS, INC. IS PROHIBITED. THESE COMMODITIES, TECHNOLOGY OR SOFTWARE WERE EXPORTED FROM THE UNITED STATES IN ACCORDANCE WITH THE EXPORT ADMINISTRATION REGULATIONS. DIVERSION CONTRARY TO U.S. LAW PROHIBITED.

UNLESS OTHERWISE SPECIFIED
 LEADING DIMENSIONS ARE INCHES
 DIMENSIONS IN [] ARE MILLIMETERS

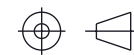
TOLERANCES:
 .X = ±.2 [5] FRACTIONS
 .XX = ±.02 [0.5] ± 1/32
 .XXX = ±.005 [0.13] ANGLES ± 1°

CABLE LENGTH TOLERANCES:
 ≤12 [305] = +1 [25] / -0
 >12 [305] ≤ 60 [1524] = +2 [51] / -0
 >60 [1524] ≤ 120 [3048] = +4 [102] / -0
 >120 [3048] ≤ 300 [7620] = +6 [152] / -0
 >300 [7620] = +5% / -0

ALL DIMENSIONS ARE FOR REFERENCE ONLY
 AND SUBJECT TO CHANGE WITHOUT NOTICE.
 UN-DIMENSIONED NON-CRITICAL FEATURES
 MAY VARY IN SIZE AND LOCATION
 COLORS MAY VARY

L-com
 an INFINIT® brand

Website: www.L-com.com
 Phone: 1.800.341.5266 | 1.978.682.6936



INTERPRET ALL DIMENSIONS AND
 TOLERANCES PER ASME Y14.5

SCALE SHEET
 NONE 1 OF 1

DESCRIPTION
 WATERPROOF DVI-D FEMALE SOLDER CONNECTOR, DUAL LINK

SIZE	CAGE CODE	DRAWN BY	ITEM NO.	REV
A	43321	HBAKKE	DVWPDDL-SCF	A

6

5

4

3

2

1