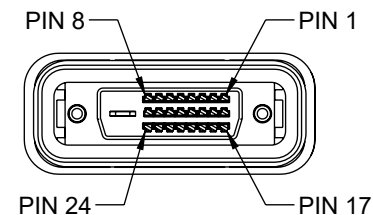
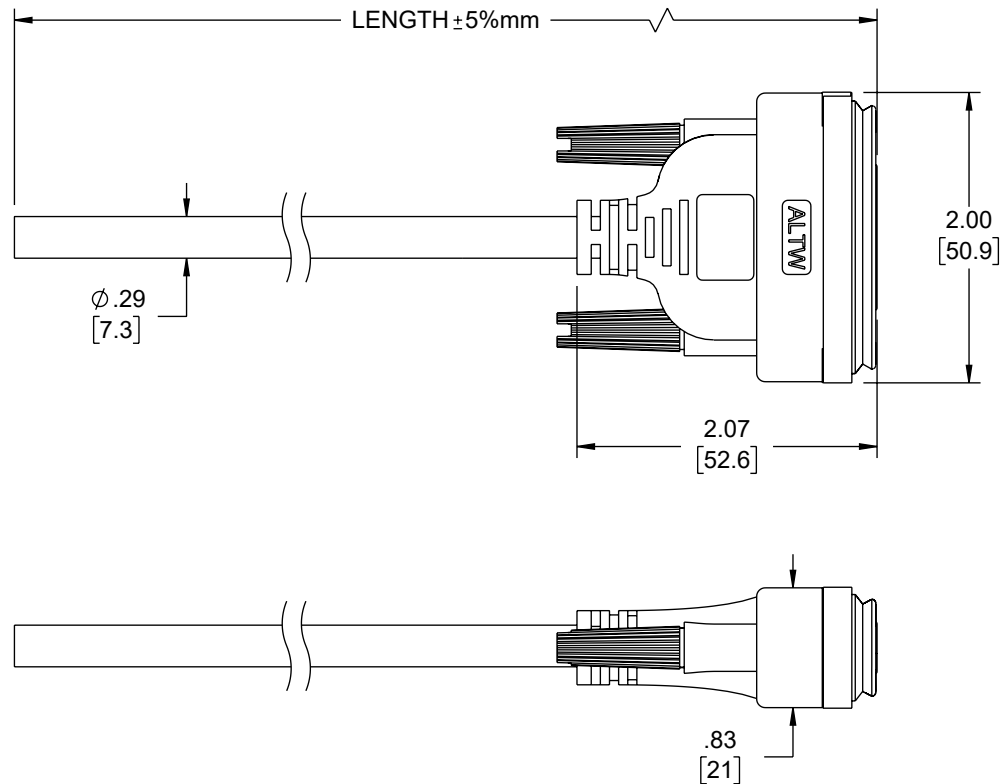


PIN OUT		
CONN	WIRE COLOR	WIRE TYPE
1	WHITE	1P+D+AL+MY
2	BROWN	
3	DRAIN	
4		
5		
6	RED	1C
7	PURPLE	1C
8		
9	WHITE	1P+D+AL+MY
10	GREEN	
11	DRAIN	
12		
13		
14	YELLOW	1P
15	ORANGE	
16	WHITE	1C
17	WHITE	1P+D+AL+MY
18	RED	
19	DRAIN	
20		
21		
22	DRAIN	1P+D+AL+MY
23	BLUE	
24	WHITE	

REVISION					
ZONE	REV	DESCRIPTION	DATE	CHANGED BY	APPROVED
	B	ECO-13922	10/07/2024	DMAY	DGUTTADAURO



NOTES:

- WATERPROOF RATING: IP67, UNMATED
- MATERIAL:
 - HOUSING: THERMOPLASTIC, BLACK
 - PIN: COPPER ALLOY, GOLD PLATED
 - GASKET: RUBBER, BLACK
 - SCREW: STEEL, NICKEL PLATED
 - CABLE: UL20276
(1P*28#+D+AL+MYLAR)*4C+(1P+3C)*28#+AL+B,
COLOR: BLACK, OD: 7.3mm
- CABLE ASSEMBLY SHALL BE TESTED FOR CONTINUITY.
- CABLE ASSEMBLY SHALL BE INDIVIDUALLY PACKAGED.

REGULATORY COMPLIANCE:
EU RoHS DIRECTIVE (MOST RECENT RELEASED VERSION).

ITEM NUMBER	LENGTH	
	METERS	FEET
DVWPDSL-MM-1M	1.0	3.28
DVWPDSL-MM-3M	3.0	9.84
DVWPDSL-MM-4M	4.0	13.12

UNLESS OTHERWISE SPECIFIED LEADING DIMENSIONS ARE INCHES DIMENSIONS IN [] ARE MILLIMETERS

TOLERANCES:

X = ±.2 [5]	FRACTIONS
.XX = ±.02 [0.5]	± 1/32
.XXX = ±.005 [0.13]	ANGLES ± 1°

CABLE LENGTH TOLERANCES:

≤12 [305]	= +1 [25] / -0
>12 [305] ≤ 60 [1524]	= +2 [51] / -0
>60 [1524] ≤ 120 [3048]	= +4 [102] / -0
>120 [3048] ≤ 300 [7620]	= +6 [152] / -0
>300 [7620]	= +5% / -0

ALL DIMENSIONS ARE FOR REFERENCE ONLY AND SUBJECT TO CHANGE WITHOUT NOTICE UN-DIMENSIONED/NON-CRITICAL FEATURES MAY VARY IN SIZE AND LOCATION COLORS MAY VARY



Website: www.L-com.com
Phone: 1.800.341.5266 | 1.978.682.6936

INTERPRET ALL DIMENSIONS AND TOLERANCES PER ASME Y14.5

SCALE	SHEET
NONE	1 OF 1

DESCRIPTION
WATERPROOF DVI-D CABLE, SINGLE LINK, MALE TO MALE

SIZE	CAGE CODE	DRAWN BY	ITEM NO.	REV
A	43321	HBAKKE	DVWPDSL-MM	B

THE INFORMATION CONTAINED IN THIS DRAWING IS THE SOLE PROPERTY OF INFINITE ELECTRONICS, INC. ANY REPRODUCTION IN PART OR WHOLE WITHOUT THE WRITTEN PERMISSION OF INFINITE ELECTRONICS, INC. IS PROHIBITED. THESE COMMODITIES, TECHNOLOGY OR SOFTWARE WERE EXPORTED FROM THE UNITED STATES IN ACCORDANCE WITH THE EXPORT ADMINISTRATION REGULATIONS. DIVERSION CONTRARY TO U.S. LAW PROHIBITED.