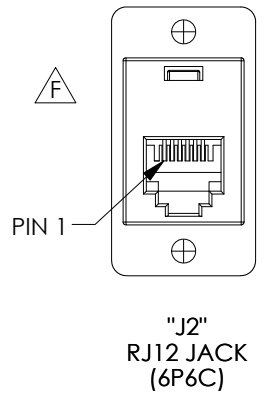
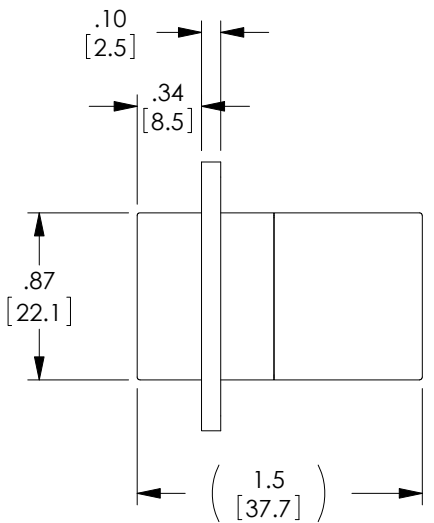
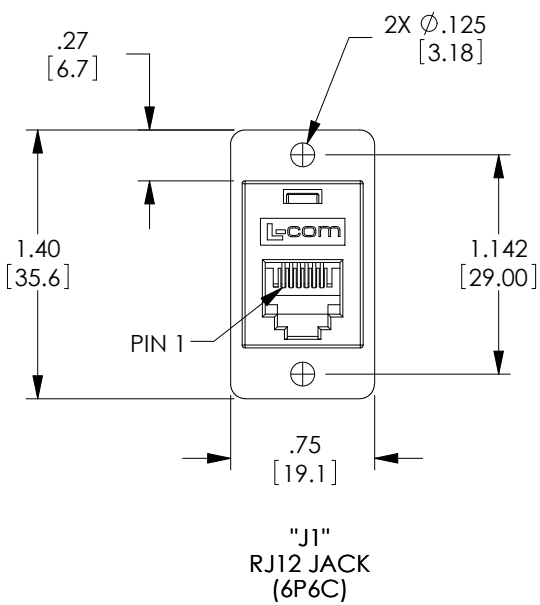
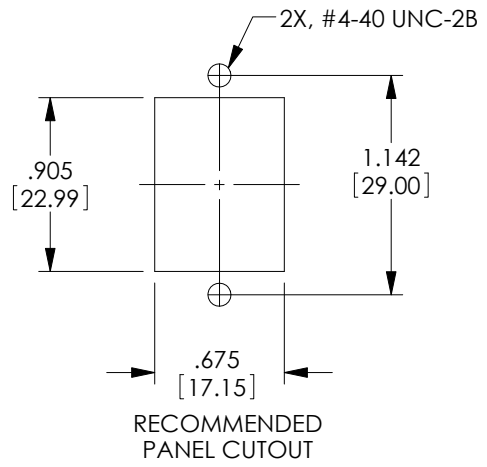


THE INFORMATION CONTAINED IN THIS DRAWING IS THE SOLE PROPERTY OF L-COM, INC. ANY REPRODUCTION IN PART OR WHOLE WITHOUT THE WRITTEN PERMISSION OF L-COM, INC. IS PROHIBITED.

REVISIONS			
REV	DESCRIPTION	DATE	APPROVED
E	ECN 6554: REVISED DIM TO (1.5), ROHS, FORMAT, REMOVE FINISH, MAT'L PC TO ABS	2/12/14	D.FRISIELLO
F	ECN 8260: REMOVED L-COM LOGO FROM REAR HOUSING	2/18/16	D.FRISIELLO



WIRING MAP	
"J1"	"J2"
1	1
2	2
3	3
4	4
5	5
6	6



**NOTES:**  
**MATERIAL:**  
 HOUSING: ABS, UL94V-0, COLOR: IVORY  
 CONTACTS: PHOSPHOR BRONZE  
 CONTACT PLATING: GOLD, 30 μ INCHES OVER NICKEL PLATING.

**ELECTRICAL:**  
 CURRENT RATING: 2 AMPS (MAX.)  
 VOLTAGE RATING: 140 VDC

**MISCELLANEOUS:**  
 ALL DIMENSIONS SHOWN ARE FOR REFERENCE ONLY.  
 OPERATING TEMPERATURE RANGE: -20 °C TO +80 °C.  
 RATING APPLICATION: CATEGORY 3

COMPONENT SHALL BE INDIVIDUALLY PACKAGED IN ACCORDANCE WITH L-COM SPECIFICATION PS-0031.

**REGULATORY COMPLIANCE:**  
 CE2011/65/EU(RoHS DIRECTIVE)

UNLESS OTHERWISE SPECIFIED, DIMENSIONS ARE IN INCHES [mm] OVERALL CABLE LENGTH TOLERANCE: ≤12 [305] = +1 [25] / -0 >12 [305] ≤60 [1524] = +2 [51] / -0 >60 [1524] ≤120 [3048] = +4 [102] / -0 >120 [3048] ≤300 [7620] = +6 [152] / -0 >300 [7620] = +5% / -0%	APPROVALS	DATE	45 BEECHWOOD DRIVE NORTH ANDOVER, MA 01845
	DRAWN BY D.FRISIELLO	4/23/12	
ALL OTHER DIMENSIONAL TOLERANCES: .X = ±.2 [5.08] .XX = ±.02 [1.51] .XXX = ±.005 [1.13]	CHECKED BY D.DESJARDIN	4/23/12	CATEGORY <b>TELECOM/MODULAR</b>
	APPROVED BY D.GALLAGHER	4/23/12	
PROJECTION 	CONFIGURATION DETAILS OF UNDIMENSIONED FEATURES MAY VARY	PRODUCT DESCRIPTION <b>CPLR PNL MNT 6X6 STRAIGHT IVRY</b>	
COLOR VARIATIONS MAY OCCUR	SIZE <b>A</b>	FSCM NO. <b>43321</b>	DWG. NO. <b>ECF504-6S</b>
SCALE: NONE		CAD FILE: ECF504-6S.SLDDRW	REV. <b>F</b>
SHEET 1 OF 1			