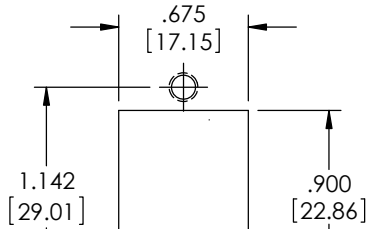


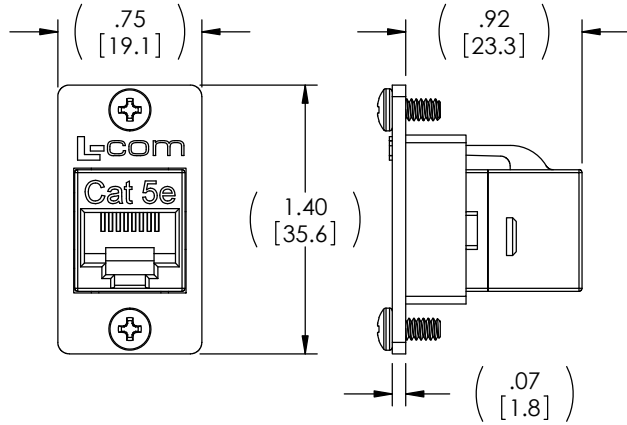
THE INFORMATION CONTAINED IN THIS DRAWING IS THE SOLE PROPERTY OF L-COM, INC. ANY REPRODUCTION IN PART OR WHOLE WITHOUT THE WRITTEN PERMISSION OF L-COM, INC. IS PROHIBITED.

REVISIONS			
REV	DESCRIPTION	DATE	APPROVED
A	INITIAL RELEASE	12/07/16	D. DESJARDIN

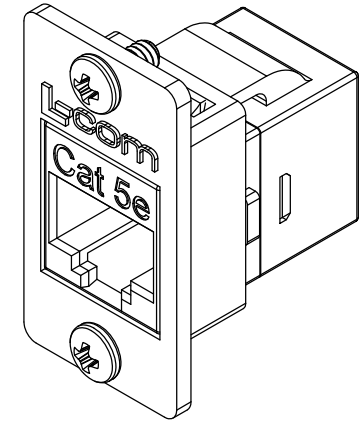


2X #4-40 UNC-2B THRU

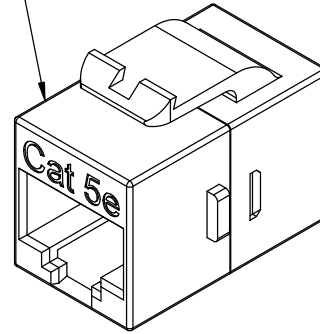
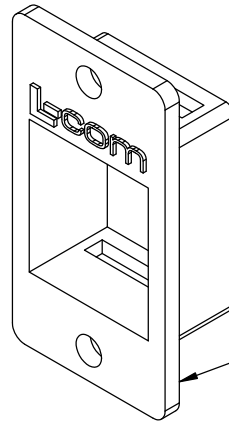
**RECOMMENDED
PANEL OPENING**



MINI CAT 5E RJ45 KEYSTONE COUPLER
(L-COM P/N: TDG1026KC5-MINI)



2X 4-40UNC-2A
X 1/4" LONG



FLANGE MOUNTED KEYSTONE ADAPTOR

**KIT SHOWN FULLY ASSEMBLED FOR CLARITY
(KIT IS SHIPPED UN-ASSEMBLED)**

KIT INCLUDES:

- 1- COUPLER
- 1- FLANGE ADAPTOR
- 1- PACKAGE MOUNTING SCREWS (4-40x 1/4")

NOTES:

MATERIAL:

FLANGED ADAPTOR: ZINC ALLOY
HARDWARE: STAINLESS STEEL.

FINISH:

FLANGED ADAPTOR: NICKEL PLATE.

MISCELLANEOUS:

CURRENT RATING: 1.5A

PACKAGING:

KITS SHALL BE INDIVIDUALLY PACKAGED IN ACCORDANCE WITH L-COM PACKAGING SPECIFICATION PS-0031.

REGULATORY COMPLIANCE:

CE2011/65/EU (RoHS DIRECTIVE)

UNLESS OTHERWISE SPECIFIED, DIMENSIONS ARE IN INCHES [mm] OVERALL CABLE LENGTH TOLERANCE: ≤12 [305] = +1 [25] / -0 >12 [305] ≤60 [1524] = +2 [51] / -0 >60 [1524] ≤120 [3048] = +4 [102] / -0 >120 [3048] ≤300 [7620] = +6 [152] / -0 >300 [7620] = +5% / -0% ALL OTHER DIMENSIONAL TOLERANCES: .X = ± .2 [5.08] .XX = ± .02 [51] .XXX = ±.005 [1.27]	APPROVALS	DATE	50 HIGH STREET NORTH ANDOVER, MA 01845		
	DRAWN BY D. DESJARDIN	12/05/16		CATEGORY TELECOM/MODULAR	
	CHECKED BY D. FRISIELLO	12/06/16			
	APPROVED BY D. GUITTAURO	12/07/16		PRODUCT DESCRIPTION C5E RJ45 PNL MINI CPLR KIT	
PROJECTION 	COLOR VARIATIONS MAY OCCUR	SIZE A	FSCM NO. 43321	DWG. NO. ECF504-C5-MINI	REV. A
		SCALE: NONE	CAD FILE: ECF504-C5-MINI.SLDDRW	SHEET 1 OF 1	