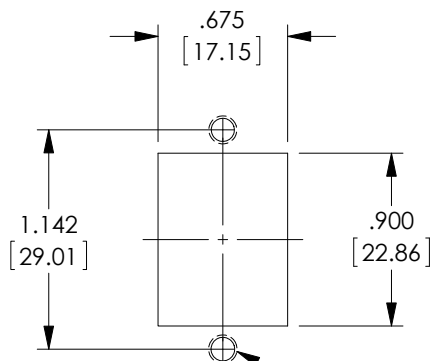


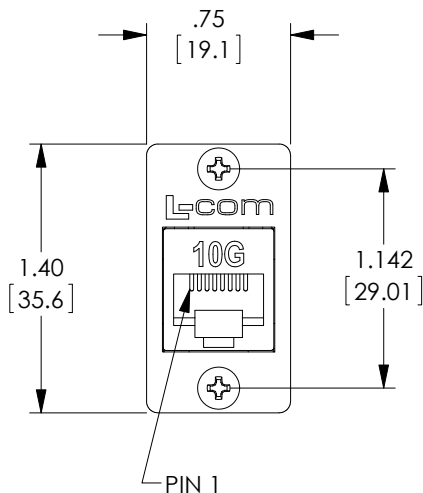
THE INFORMATION CONTAINED IN THIS DRAWING IS THE SOLE PROPERTY OF L-COM, INC. ANY REPRODUCTION IN PART OR WHOLE WITHOUT THE WRITTEN PERMISSION OF L-COM, INC. IS PROHIBITED.

REVISIONS			
REV	DESCRIPTION	DATE	APPROVED
A	INITIAL RELEASE	10/30/13	D.GRIFFIN
B	ECN 8536: REMOVED COUPLER COLOR: WHITE, AND FORMAT	10/28/16	D.FRISIELLO

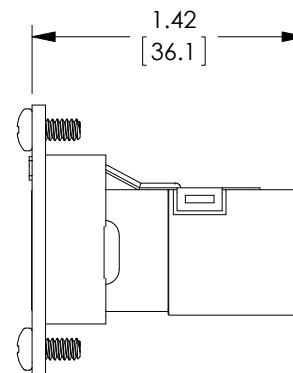


RECOMMENDED
PANEL CUTOUT

2X, 4-40 UNC-2B
THREAD

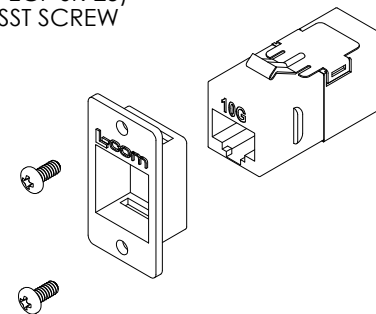


PIN 1



KIT CONTAINS:

- 1 - COUPLER (L-COM P/N# TDG1026KS-RC6A)
- 1 - FLANGE ADAPTER (L-COM P/N# ECF-SK-25)
- 2 - #4-40 UNC-2A x 1/4" LG PHILIPS SST SCREW



NOTES:

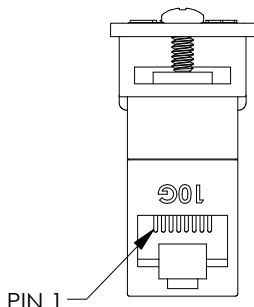
MATERIALS:
 FLANGE MOUNT ADAPTER: ZINC ALLOY
 COUPLER: ABS, UL94V-0
 CASING: BRASS
 HARDWARE: STAINLESS STEEL

FINISH:
 FLANGE MOUNT ADAPTER: NICKEL PLATE
 CASING: NICKEL PLATE

1. COUPLER KIT IS SUPPLIED UN-ASSEMBLED IN ACCORDANCE WITH L-COM SPECIFICATION PS-0031.

2. ALL DIMENSIONS ARE FOR REFERENCE ONLY.

REGULATORY COMPLIANCE:
 CE2011/65/EU(RoHS DIRECTIVE)



PIN 1

UNLESS OTHERWISE SPECIFIED, DIMENSIONS ARE IN INCHES [mm] OVERALL CABLE LENGTH TOLERANCE: ≤12 [305] = +1 [25] / -0 >12 [305] ≤60 [1524] = +2 [51] / -0 >60 [1524] ≤120 [3048] = +4 [102] / -0 >120 [3048] ≤300 [7620] = +6 [152] / -0 >300 [7620] = +5% / -0% ALL OTHER DIMENSIONAL TOLERANCES: .X = ±.2 [5.08] .XX = ±.02 [51] .XXX = ±.005 [1.27]	APPROVALS D.FRISIELLO	DATE 10/29/13		50 HIGH STREET NORTH ANDOVER, MA 01845		
	CHECKED BY D.GUITADAURO	DATE 10/29/13		CATEGORY TELECOM/MODULAR		
	APPROVED BY M.MARTINEZ	DATE 10/29/13	PRODUCT DESCRIPTION CAT6A RJ45 SHD RA PNL CPLR KIT			
	PROJECTION 	COLOR VARIATIONS MAY OCCUR	SIZE A	FSCM NO. 43321	DWG. NO. ECF504-SR6A	REV. B
		SCALE: NONE	CAD FILE: ECF504-SR6A.SLDDRW		SHEET 1 OF 1	