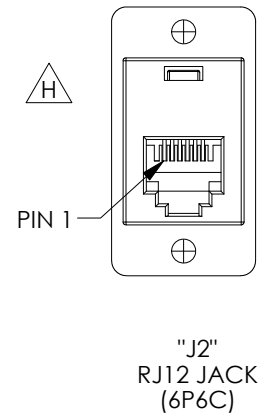
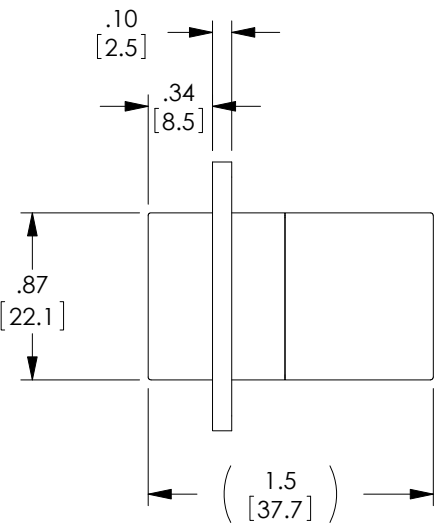
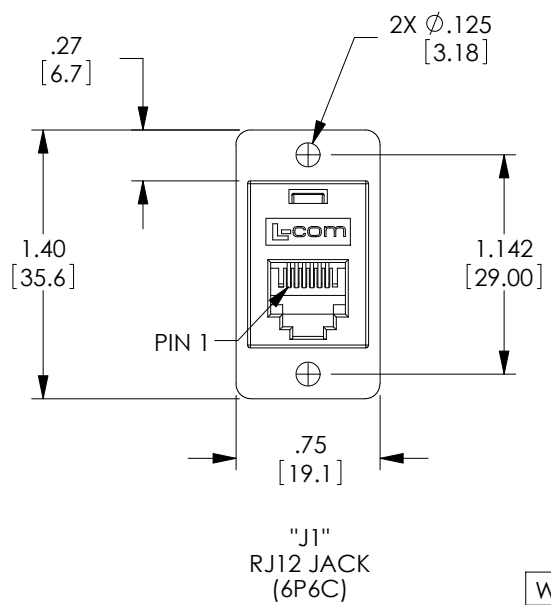
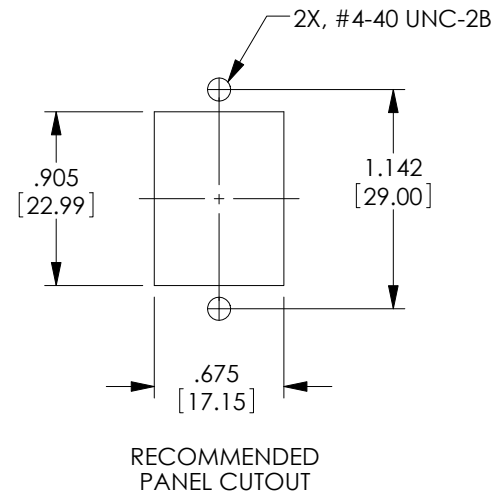


THE INFORMATION CONTAINED IN THIS DRAWING IS THE SOLE PROPERTY OF L-COM, INC. ANY REPRODUCTION IN PART OR WHOLE WITHOUT THE WRITTEN PERMISSION OF L-COM, INC. IS PROHIBITED.

REVISIONS			
REV	DESCRIPTION	DATE	APPROVED
E	ECN 5720: REVISED GOLD PLATE TO 30u, ALL NOTES, NEW FORMAT	9/20/11	D.FRISIELLO
F	ECN 6114: CN RELEASE	5/31/12	D.FRISIELLO
G	ECN 6554: REVISED DIM TO [1.5], ROHS, FORMAT, REMOVE FINISH, MAT'L PC TO ABS	2/12/14	D.FRISIELLO
H	ECN 8260: REMOVED L-COM LOGO FROM REAR HOUSING	2/18/16	D.FRISIELLO



"J1"	"J2"
1	1
2	2
3	3
4	4
5	5
6	6



NOTES:

MATERIAL:

HOUSING: ABS, UL94V-0, COLOR: BLACK
 CONTACTS: PHOSPHOR BRONZE
 CONTACT PLATING: GOLD, 30 μ INCHES OVER NICKEL PLATING.

ELECTRICAL:

CURRENT RATING: 2 AMPS (MAX.)
 VOLTAGE RATING: 140 VDC

MISCELLANEOUS:

ALL DIMENSIONS SHOWN ARE FOR REFERENCE ONLY.
 OPERATING TEMPERATURE RANGE: -20 °C TO +80 °C.
 RATING APPLICATION: CATEGORY 3

COMPONENT SHALL BE INDIVIDUALLY PACKAGED IN ACCORDANCE WITH L-COM SPECIFICATION PS-0031.

REGULATORY COMPLIANCE:

CE2011/65/EU (RoHS DIRECTIVE)

UNLESS OTHERWISE SPECIFIED, DIMENSIONS ARE IN INCHES [mm] OVERALL CABLE LENGTH TOLERANCE: ≤12 [305] = +1 [25] / -0 >12 [305] ≤60 [1524] = +2 [51] / -0 >60 [1524] ≤120 [3048] = +4 [102] / -0 >120 [3048] ≤300 [7620] = +6 [152] / -0 >300 [7620] = +5% / -0%	APPROVALS	DATE		45 BEECHWOOD DRIVE NORTH ANDOVER, MA 01845
	DRAWN BY D.FRISIELLO	4/23/12		
ALL OTHER DIMENSIONAL TOLERANCES: .X = ±.2 [5.08] .XX = ±.02 [1.51] .XXX = ±.005 [1.13]	CHECKED BY D.DESJARDIN	4/23/12	CATEGORY TELECOM/MODULAR	
	APPROVED BY D.GALLAGHER	4/23/12	PRODUCT DESCRIPTION CPLR PNL MNT 6X6 STRAIGHT BLK	
PROJECTION 	CONFIGURATION DETAILS OF UNDIMENSIONED FEATURES MAY VARY	COLOR VARIATIONS MAY OCCUR	SIZE A	FSCM NO. 43321
			DWG. NO. ECF504B-6S	REV. H
			SCALE: NONE	CAD FILE: ECF504B-6S.SLDDRW
				SHEET 1 OF 1