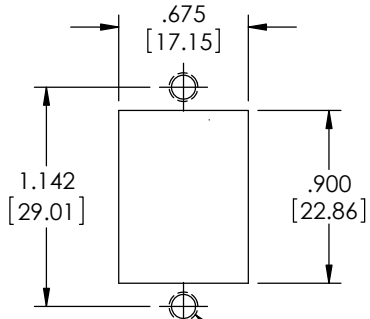


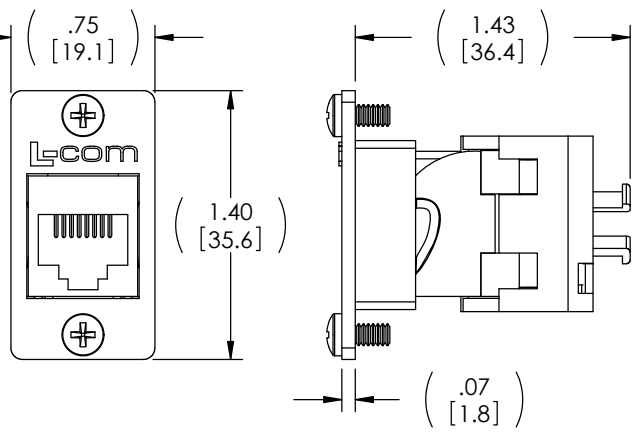
THE INFORMATION CONTAINED IN THIS DRAWING IS THE SOLE PROPERTY OF L-COM, INC. ANY REPRODUCTION IN PART OR WHOLE WITHOUT THE WRITTEN PERMISSION OF L-COM, INC. IS PROHIBITED.

REVISIONS			
REV	DESCRIPTION	DATE	APPROVED
A	INITIAL RELEASE	9/15/11	D. GRIFFIN
B	ECN 6881: UPD DWG FORMAT, LAYOUT, AND ADAPTOR FLANGE LOGO	6/18/13	D. DESJARDIN

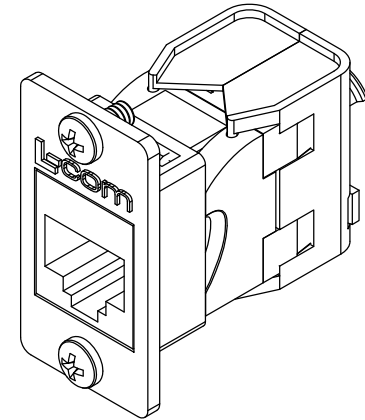


2X #4-40 UNC-2B THRU

**RECOMMENDED  
PANEL OPENING**

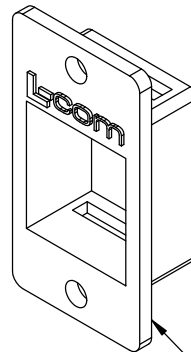


CAT 6 RJ45 KEYSTONE JACK  
(SEE TABLE FOR L-COM P/N)



2X 4-40UNC-2A  
X 1/4" LONG

MODEL NUMBER	JACK P/N	COLOR
ECFRJTLC6-BLK	RJTLC6-BLK	BLACK
ECFRJTLC6-IV	RJTLC6-IV	IVORY
ECFRJTLC6-WT	RJTLC6-WT	WHITE



FLANGE MOUNTED KEYSTONE ADAPTOR

**KIT SHOWN FULLY ASSEMBLED FOR CLARITY  
(KIT IS SHIPPED UN-ASSEMBLED)**

KIT INCLUDES:  
1- KEYSTONE JACK  
1- FLANGE ADAPTOR  
1- PACKAGE MOUNTING SCREWS (4-40x 1/4")

**B**

**NOTES:**

**MATERIAL:**  
FLANGED ADAPTOR: ZINC ALLOY  
HARDWARE: STAINLESS STEEL.

**FINISH:**  
FLANGED ADAPTOR: NICKEL PLATE.

**PACKAGING:**  
KITS SHALL BE INDIVIDUALLY PACKAGED IN ACCORDANCE WITH L-COM PACKAGING SPECIFICATION PS-0031.

**REGULATORY COMPLIANCE:**  
ROHS, CE

**B**

UNLESS OTHERWISE SPECIFIED, DIMENSIONS ARE IN INCHES [mm] OVERALL CABLE LENGTH TOLERANCE: ≤12 [305] = +1 [25] / -0 >12 [305] ≤60 [1524] = +2 [51] / -0 >60 [1524] ≤120 [3048] = +4 [102] / -0 >120 [3048] ≤300 [7620] = +6 [152] / -0 >300 [7620] = +5% / -0%	APPROVALS	DATE			45 BEECHWOOD DRIVE NORTH ANDOVER, MA 01845	
	DRAWN BY D. FRISIELLO	9/14/11			CATEGORY	TELECOM/MODULAR
ALL OTHER DIMENSIONAL TOLERANCES: .X = ± .2 [5.08] .XX = ± .02 [1.51] .XXX = ± .005 [1.13]	CHECKED BY D. GUITADAURO	9/14/11	PRODUCT DESCRIPTION <b>JACK CAT6 RJ45/TLS FLNG</b>			
	APPROVED BY D. GALLAGHER	9/14/11				
PROJECTION	COLOR VARIATIONS MAY OCCUR		<b>A</b>	<b>43321</b>	<b>ECFRJTLC6</b>	<b>B</b>
SCALE: NONE			CAD FILE: ECFRJTLC6.SLDDRW		SHEET 1 OF 1	