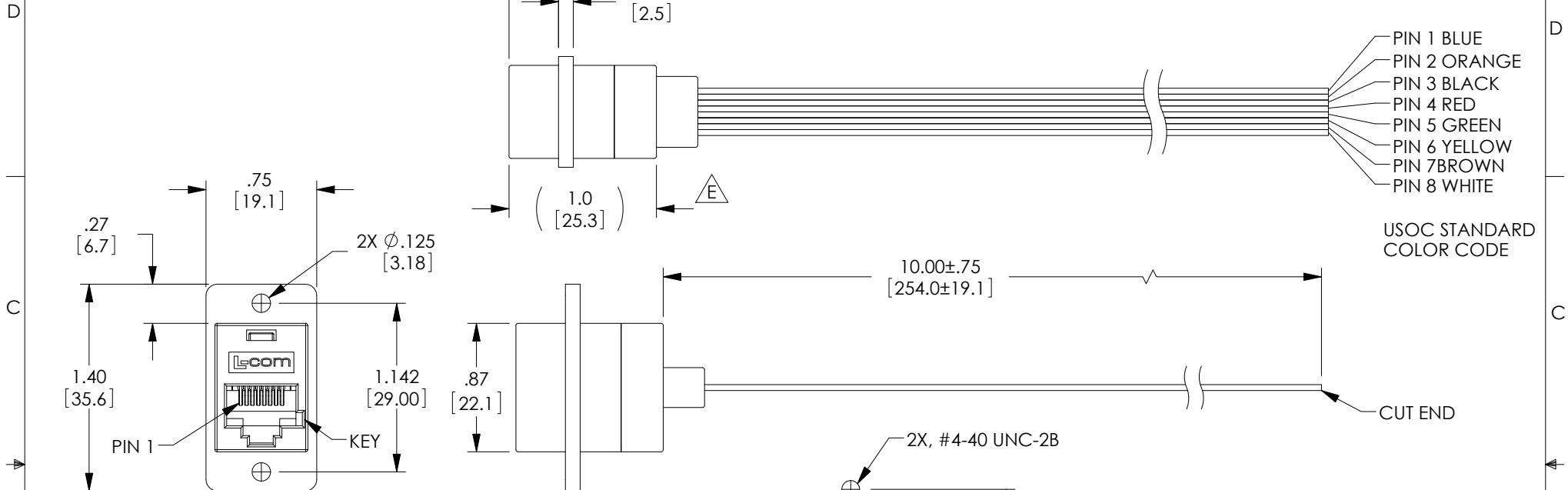
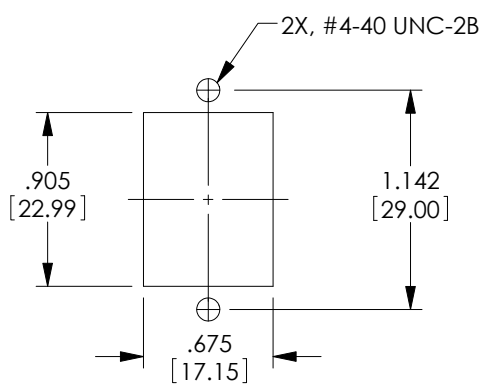


THE INFORMATION CONTAINED IN THIS DRAWING IS THE SOLE PROPERTY OF L-COM, INC. ANY REPRODUCTION IN PART OR WHOLE WITHOUT THE WRITTEN PERMISSION OF L-COM, INC. IS PROHIBITED.

REVISIONS			
REV	DESCRIPTION	DATE	APPROVED
E	ECN 6554: REVISED DIM TO (1.0), ROHS, FORMAT, REMOVE FINISH, MAT'L PC TO ABS	2/12/14	D.FRISIELLO



RJ45 JACK  
(8X8)  
(KEYED)



RECOMMENDED  
PANEL CUTOUT

**NOTES:**

**MATERIAL:**  
 HOUSING: ABS, UL94V-0, COLOR: IVORY  
 CONTACTS: PHOSPHOR BRONZE  
 CONTACT PLATING: GOLD, 30 μ INCHES OVER NICKEL PLATING.

**ELECTRICAL:**  
 CURRENT RATING: 2 AMPS (MAX.)  
 VOLTAGE RATING: 140 VDC

**MISCELLANEOUS:**  
 ALL DIMENSIONS SHOWN ARE FOR REFERENCE ONLY.  
 OPERATING TEMPERATURE RANGE: -20 °C TO +80 °C.  
 RATING APPLICATION: CATEGORY 3  
 WIRE LEADS: 26 AWG STRANDED COPPER, PVC JACKET

COMPONENT SHALL BE INDIVIDUALLY PACKAGED IN ACCORDANCE WITH L-COM SPECIFICATION PS-0031.

**REGULATORY COMPLIANCE:**  
 CE2011/65/EU(RoHS DIRECTIVE)

UNLESS OTHERWISE SPECIFIED, DIMENSIONS ARE IN INCHES [mm] OVERALL CABLE LENGTH TOLERANCE: ≤12 [305] = +1 [25] / -0 >12 [305] ≤60 [1524] = +2 [51] / -0 >60 [1524] ≤120 [3048] = +4 [102] / -0 >120 [3048] ≤300 [7620] = +6 [152] / -0 >300 [7620] = +5% / -0% ALL OTHER DIMENSIONAL TOLERANCES: .X = ±.2 [5.08] .XX = ±.02 [1.51] .XXX = ±.005 [1.3]	APPROVALS DRAWN BY D.FRISIELLO	DATE 4/24/12	45 BEECHWOOD DRIVE NORTH ANDOVER, MA 01845		
	CHECKED BY D.DESJARDIN	4/24/12		CATEGORY TELECOM/MODULAR	
	APPROVED BY D.GALLAGHER	4/24/12	PRODUCT DESCRIPTION RJ45 (8X8) KEYED JACK TO WIRE LEADS		
	PROJECTION 	COLOR VARIATIONS MAY OCCUR	SIZE <b>A</b>	FSCM NO. 43321	DWG. NO. ECJ504-8