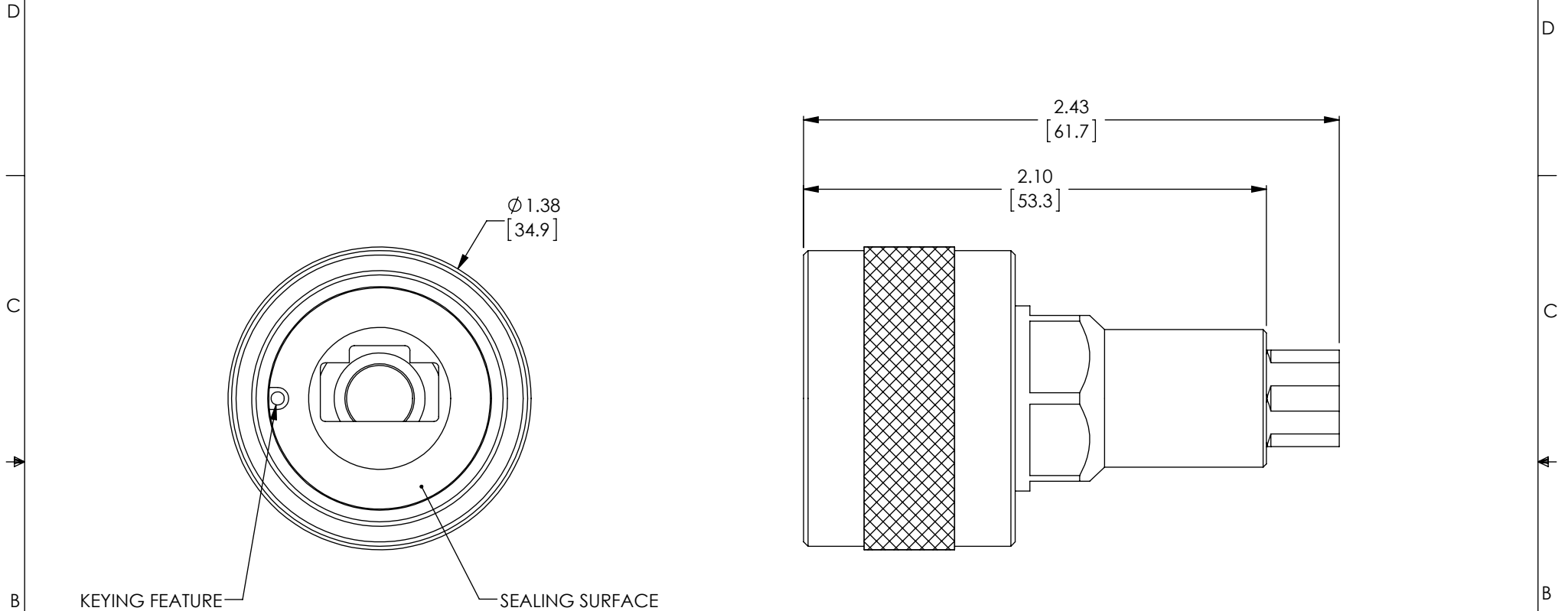


THE INFORMATION CONTAINED IN THIS DRAWING IS THE SOLE PROPERTY OF L-COM, INC. ANY REPRODUCTION IN PART OR WHOLE WITHOUT THE WRITTEN PERMISSION OF L-COM, INC. IS PROHIBITED.

RoHS Compliant ✓

REVISIONS			
REV	DESCRIPTION	DATE	APPROVED
A	INITIAL RELEASE	8/30/12	D.GRIFFIN
B	ECN 6379: REVISED IP-68 AND PACKAGING NOTE	9/24/12	D. DESJARDIN



NOTES:

1. CABLE SIZE: .271 / .330"
2. MATERIALS AND FINISH:
EXTERNAL PARTS: ALUMINUM/BLACK ANODIZE
INTERNAL PARTS: ALUMINUM
MISC. HARDWARE: STAINLESS STEEL
SEAL: SILICONE
3. RATING: IP-68
4. ALL DIMENSIONS ARE FOR REFERENCE ONLY.
5. COMPONENT SHALL BE INDIVIDUALLY PACKAGED IN ACCORDANCE WITH L-COM SPECIFICATION LSP-010-1

UNLESS OTHERWISE SPECIFIED, DIMENSIONS ARE IN INCHES [mm] OVERALL CABLE LENGTH TOLERANCE: ≤12 [305] = +1 [25] / -0 >12 [305] ≤60 [1524] = +2 [51] / -0 >60 [1524] ≤120 [3048] = +4 [102] / -0 >120 [3048] ≤300 [7620] = +6 [152] / -0 >300 [7620] = +3% / -0% ALL OTHER DIMENSIONAL TOLERANCES: .X = ±.2 .XX = ±.02 .XXX = ±.005	APPROVALS D. DESJARDIN CHECKED BY D. GUITADAURO APPROVED BY D. GALLAGHER	DATE 8/29/12 8/29/12 8/30/12	45 BEECHWOOD DRIVE NORTH ANDOVER, MA 01845		
	CONFIGURATION DETAILS OF UNDIMENSIONED FEATURES MAY VARY			CATEGORY TELECOM/MODULAR	
PROJECTION 	COLOR VARIATIONS MAY OCCUR	SIZE A	FSCM NO. 43321	DWG. NO. ECRA0211UB0	REV. B
SCALE: NONE		CAD FILE: ECRA0211UB0.SLDDRW		SHEET 1 OF 1	