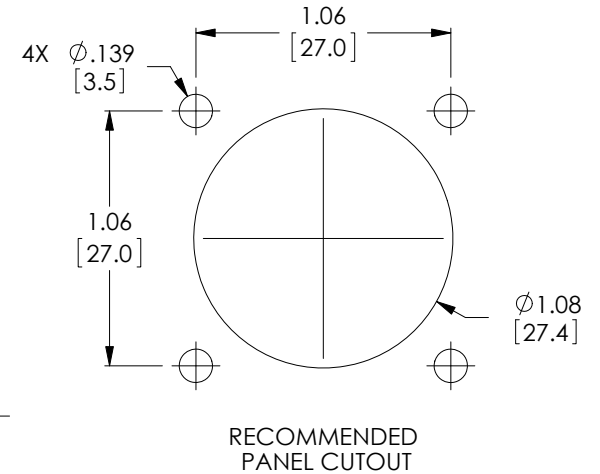
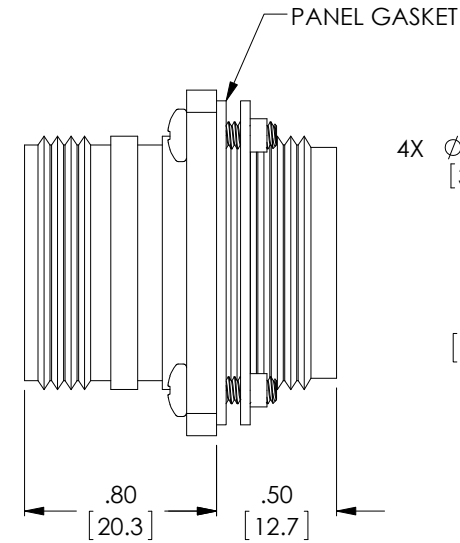
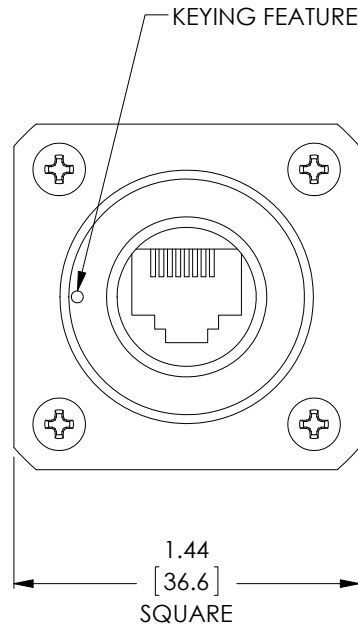
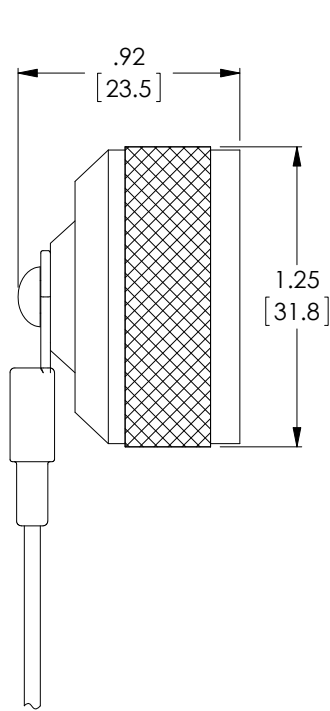


THE INFORMATION CONTAINED IN THIS DRAWING IS THE SOLE PROPERTY OF L-COM, INC. ANY REPRODUCTION IN PART OR WHOLE WITHOUT THE WRITTEN PERMISSION OF L-COM, INC. IS PROHIBITED.

RoHS Compliant ✓

REVISIONS			
REV	DESCRIPTION	DATE	APPROVED
A	INITIAL RELEASE	11/7/11	D.GRIFFIN
B	ECN 6379: UPDATE DRAWING LAYOUT. UPDATED NOTES	9/25/12	D. DESJARDIN



**NOTES:**

- MATERIAL:**  
 EXTERNAL PARTS: ALUMINUM/BLACK ANODIZE  
 INTERNAL PARTS: ALUMINUM  
 MISC. HARDWARE: STAINLESS STEEL  
 SEALS: SILICONE/NITRILE  
 LANYARD: STAINLESS STEEL (NYLON COAT)
- RATING:** IP-68
- KIT INCLUDES:**  
 (1) DUST CAP WITH LANYARD  
 (1) MOUNTING BRACKET  
 (1) GASKET  
 (4) SCREWS, PHILLIPS HEAD, SST, #4-40 X .375
- ALL DIMENSIONS ARE FOR REFERENCE ONLY.
- COMPONENT SHALL BE INDIVIDUALLY PACKAGED IN ACCORDANCE WITH L-COM SPECIFICATION LSP-010-1

UNLESS OTHERWISE SPECIFIED, DIMENSIONS ARE IN INCHES [mm] OVERALL CABLE LENGTH TOLERANCE: ≤12 [305] = +1 [25] / -0 >12 [305] ≤60 [1524] = +2 [51] / -0 >60 [1524] ≤120 [3048] = +4 [102] / -0 >120 [3048] ≤300 [7620] = +6 [152] / -0 >300 [7620] = +3% / -0% ALL OTHER DIMENSIONAL TOLERANCES: .X = ± .2 .XX = ± .02 .XXX = ± .005	<b>APPROVALS</b> DRAWN BY D. CASTRO CHECKED BY D. PARHAM APPROVED BY D. GUITTADAURO	<b>DATE</b> 10/11/11 10/17/11 10/18/11	45 BEECHWOOD DRIVE NORTH ANDOVER, MA 01845
	<b>PROJECTION</b> 		
<b>CONFIGURATION DETAILS OF UNDIMENSIONED FEATURES MAY VARY</b>	<b>PRODUCT DESCRIPTION</b> FLNG MNT SEALED ANOD W/ HW&DC		<b>SCALE:</b> NONE   <b>CAD FILE:</b> ECRH3201U00.SLDDRW   <b>SHEET 1 OF 1</b>
<b>COLOR VARIATIONS MAY OCCUR</b>	<b>SIZE</b> <b>A</b>	<b>FSCM NO.</b> <b>43321</b>	
			<b>REV.</b> <b>B</b>