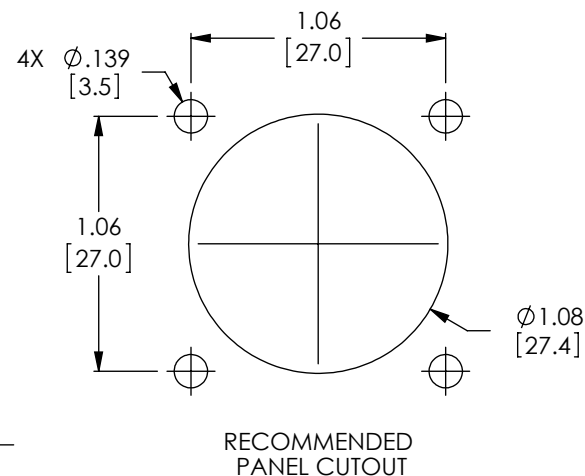
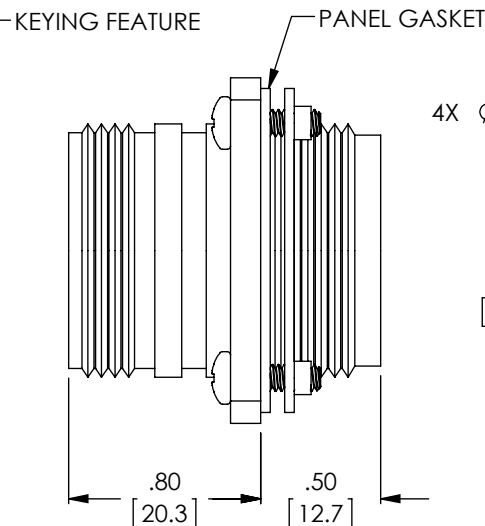
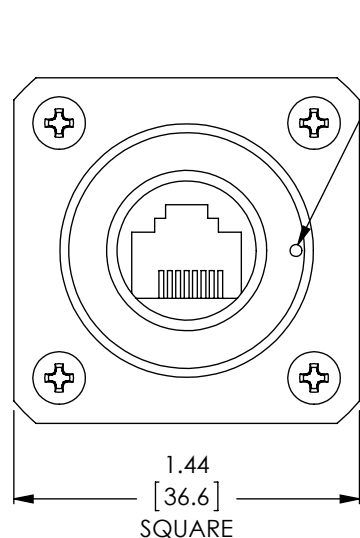
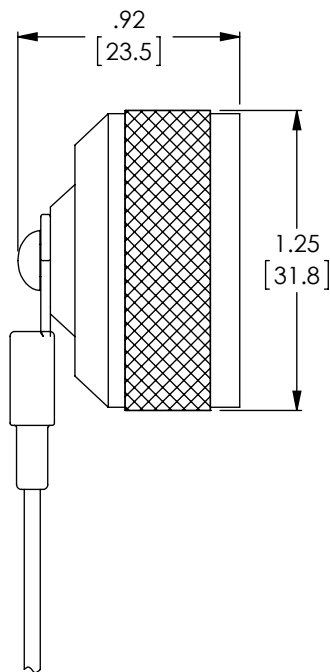


THE INFORMATION CONTAINED IN THIS DRAWING IS THE SOLE PROPERTY OF L-COM, INC. ANY REPRODUCTION IN PART OR WHOLE WITHOUT THE WRITTEN PERMISSION OF L-COM, INC. IS PROHIBITED.

REVISIONS			
REV	DESCRIPTION	DATE	APPROVED
A	INITIAL RELEASE	11/7/11	D.GRIFFIN
B	ECN 6379: UPDATE DRAWING LAYOUT. UPDATED NOTES	9/25/12	D. DESJARDIN



**NOTES:**

- MATERIAL:**  
 EXTERNAL PARTS: ALUMINUM/ZINC-NICKEL  
 INTERNAL PARTS: ALUMINUM  
 MISC. HARDWARE: STAINLESS STEEL  
 SEALS: SILICONE/NITRILE  
 LANYARD: STAINLESS STEEL (NYLON COAT)
- RATING:** IP-68
- KIT INCLUDES:**  
 (1) DUST CAP WITH LANYARD  
 (1) MOUNTING BRACKET  
 (1) GASKET  
 (4) SCREWS, PPH, SS, #4-40 X .375
- ALL DIMENSIONS ARE FOR REFERENCE ONLY.**
- COMPONENT SHALL BE INDIVIDUALLY PACKAGED IN ACCORDANCE WITH L-COM SPECIFICATION LSP-010-1**

UNLESS OTHERWISE SPECIFIED, DIMENSIONS ARE IN INCHES [mm] OVERALL CABLE LENGTH TOLERANCE: ≤12 [305] = +1 [25] / -0 >12 [305] ≤60 [1524] = +2 [51] / -0 >60 [1524] ≤120 [3048] = +4 [102] / -0 >120 [3048] ≤300 [7620] = +6 [152] / -0 >300 [7620] = +3% / -0% ALL OTHER DIMENSIONAL TOLERANCES: .X = ±.2 .XX = ±.02 .XXX = ±.005	APPROVALS DRAWN BY D. CASTRO CHECKED BY D. PARHAM APPROVED BY D. GUTTADAURO	DATE 10/11/11 10/17/11 10/18/11	45 BEECHWOOD DRIVE NORTH ANDOVER, MA 01845
	CONFIGURATION DETAILS OF UNDIMENSIONED FEATURES MAY VARY		
PROJECTION 	COLOR VARIATIONS MAY OCCUR	SIZE <b>A</b>	FSCM NO. <b>43321</b> DWG. NO. <b>ECRH3203U00</b>
SCALE: NONE		CAD FILE: ECRH3203U00.SLDDRW	REV. <b>B</b> SHEET 1 OF 1