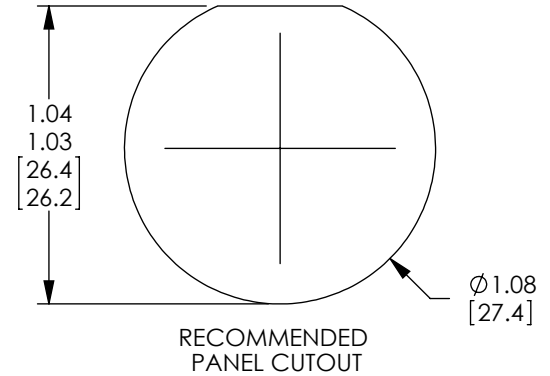
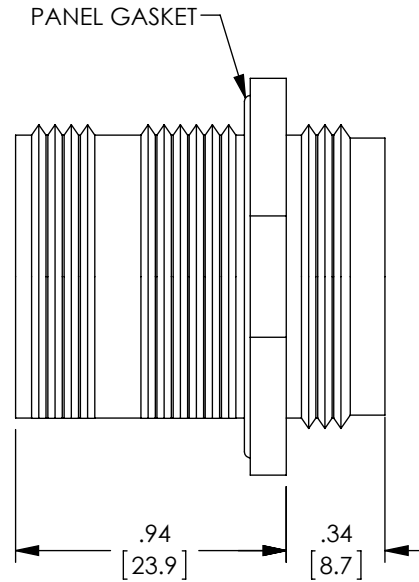
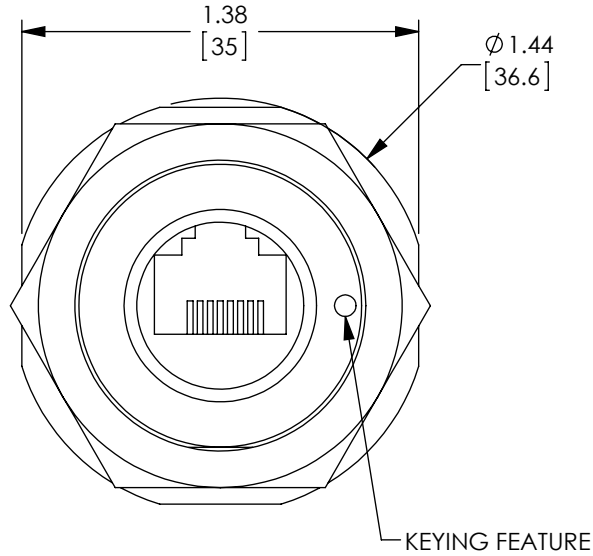


THE INFORMATION CONTAINED IN THIS DRAWING IS THE SOLE PROPERTY OF L-COM, INC. ANY REPRODUCTION IN PART OR WHOLE WITHOUT THE WRITTEN PERMISSION OF L-COM, INC. IS PROHIBITED.

RoHS Compliant ✓

REVISIONS			
REV	DESCRIPTION	DATE	APPROVED
A	INITIAL RELEASE	11/7/11	D.GRIFFIN
B	ECN 6311: REMOVED LANYARD AND NOTE	7/31/12	D.FRISIELLO
C	ECN 6379: REVISED PACKAGING NOTE. ADDED IP-68 NOTE	9/26/12	D. DESJARDIN



NOTES:

- MATERIAL:**
EXTERNAL PARTS: ALUMINUM/BLACK ANODIZE
INTERNAL PARTS: ALUMINUM
MISC. HARDWARE: STAINLESS STEEL
SEALS: SILICONE
- RATING: IP-68**
- ALL DIMENSIONS ARE FOR REFERENCE ONLY.**
- COMPONENT SHALL BE INDIVIDUALLY PACKAGED IN ACCORDANCE WITH L-COM SPECIFICATION LSP-010-1**

UNLESS OTHERWISE SPECIFIED, DIMENSIONS ARE IN INCHES [mm] OVERALL CABLE LENGTH TOLERANCE: ≤12 [305] = +1 [25] / -0 >12 [305] ≤60 [1524] = +2 [51] / -0 >60 [1524] ≤120 [3048] = +4 [102] / -0 >120 [3048] ≤300 [7620] = +6 [152] / -0 >300 [7620] = +3% / -0% ALL OTHER DIMENSIONAL TOLERANCES: .X = ±.2 .XX = ±.02 .XXX = ±.005	APPROVALS DRAWN BY D. CASTRO CHECKED BY D. PARHAM APPROVED BY D. GUTTADAURO	DATE 10/12/11 10/17/11 10/18/11	45 BEECHWOOD DRIVE NORTH ANDOVER, MA 01845
	PROJECTION 		
CONFIGURATION DETAILS OF UNDIMENSIONED FEATURES MAY VARY		PRODUCT DESCRIPTION JAM NUT SEALED ANOD	
COLOR VARIATIONS MAY OCCUR		SIZE A	FSCM NO. 43321
		DWG. NO. ECRK0201U00	REV. C
		SCALE: NONE	CAD FILE: ECRK0201U00.SLDDRW
		SHEET 1 OF 1	