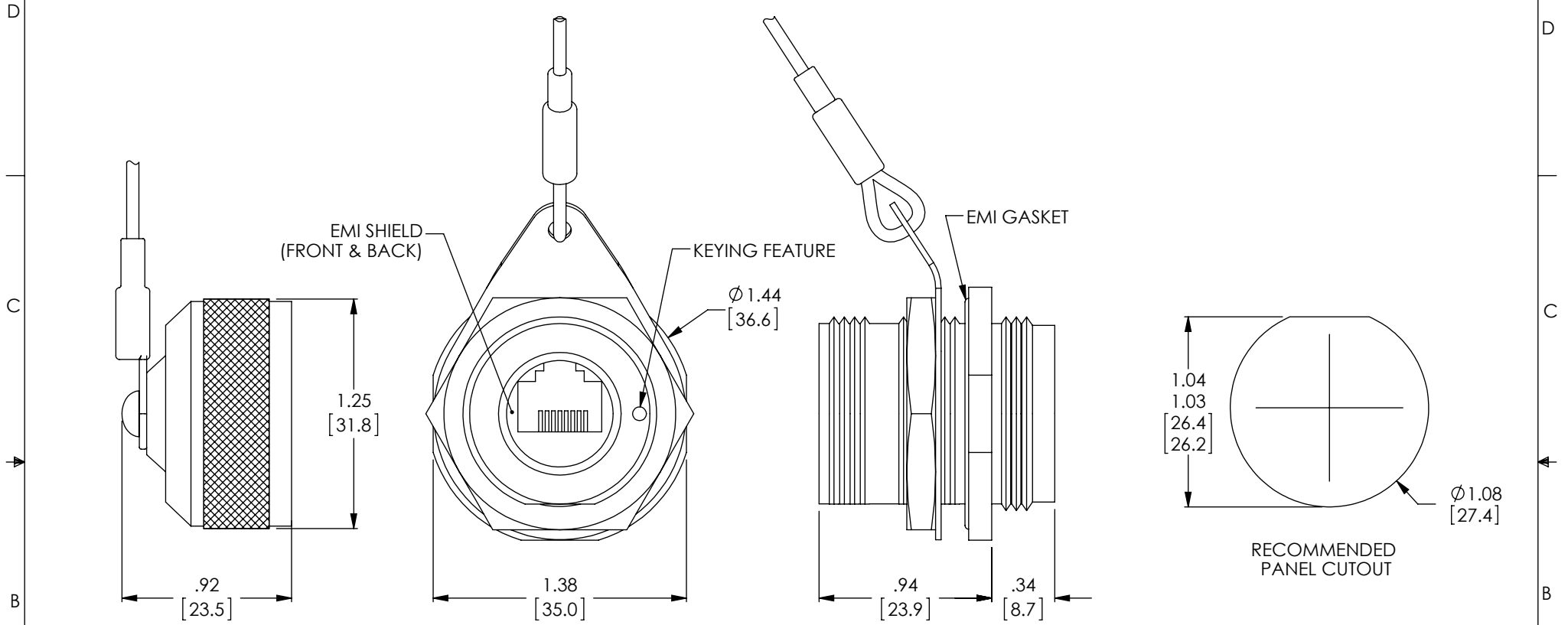


THE INFORMATION CONTAINED IN THIS DRAWING IS THE SOLE PROPERTY OF L-COM, INC. ANY REPRODUCTION IN PART OR WHOLE WITHOUT THE WRITTEN PERMISSION OF L-COM, INC. IS PROHIBITED.

REVISIONS			
REV	DESCRIPTION	DATE	APPROVED
A	INITIAL RELEASE	11/7/11	D.GRIFFIN
B	ECN 6379: UPDATE DRAWING LAYOUT. UPDATED NOTES	9/27/12	D. DESJARDIN



NOTES:

1. MATERIAL:
EXTERNAL PARTS: ALUMINUM/ZINC-NICKEL
INTERNAL PARTS: ALUMINUM
MISC. HARDWARE: STAINLESS STEEL
SEALS: SILICONE
LANYARD: STAINLESS STEEL (NYLON COAT)
2. RATING: IP-68
3. ALL DIMENSIONS ARE FOR REFERENCE ONLY.
4. COMPONENT SHALL BE INDIVIDUALLY PACKAGED IN ACCORDANCE WITH L-COM SPECIFICATION LSP-010-1

UNLESS OTHERWISE SPECIFIED, DIMENSIONS ARE IN INCHES [mm] OVERALL CABLE LENGTH TOLERANCE: $\leq 12 [305] = +1 [25] / -0$ $> 12 [305] \leq 60 [1524] = +2 [51] / -0$ $> 60 [1524] \leq 120 [3048] = +4 [102] / -0$ $> 120 [3048] \leq 300 [7620] = +6 [152] / -0$ $> 300 [7620] = +3\% / -0\%$	APPROVALS	DATE		45 BEECHWOOD DRIVE NORTH ANDOVER, MA 01845
	DRAWN BY D. CASTRO	10/12/11		
ALL OTHER DIMENSIONAL TOLERANCES: .X = ±.2 .XX = ±.02 .XXX = ±.005	CHECKED BY D. PARHAM	10/17/11	CATEGORY TELECOM/MODULAR	
	APPROVED BY D. GUTTAURO	10/18/11	PRODUCT DESCRIPTION JAM NUT SHLD SEALED ZNNI DCAP	
PROJECTION 	CONFIGURATION DETAILS OF UNDIMENSIONED FEATURES MAY VARY	COLOR VARIATIONS MAY OCCUR	SIZE A	FSCM NO. 43321
			DWG. NO. ECRK2103U00	REV. B
			SCALE: NONE	CAD FILE: ECRK2103U00.SLDRW
			SHEET 1 OF 1	