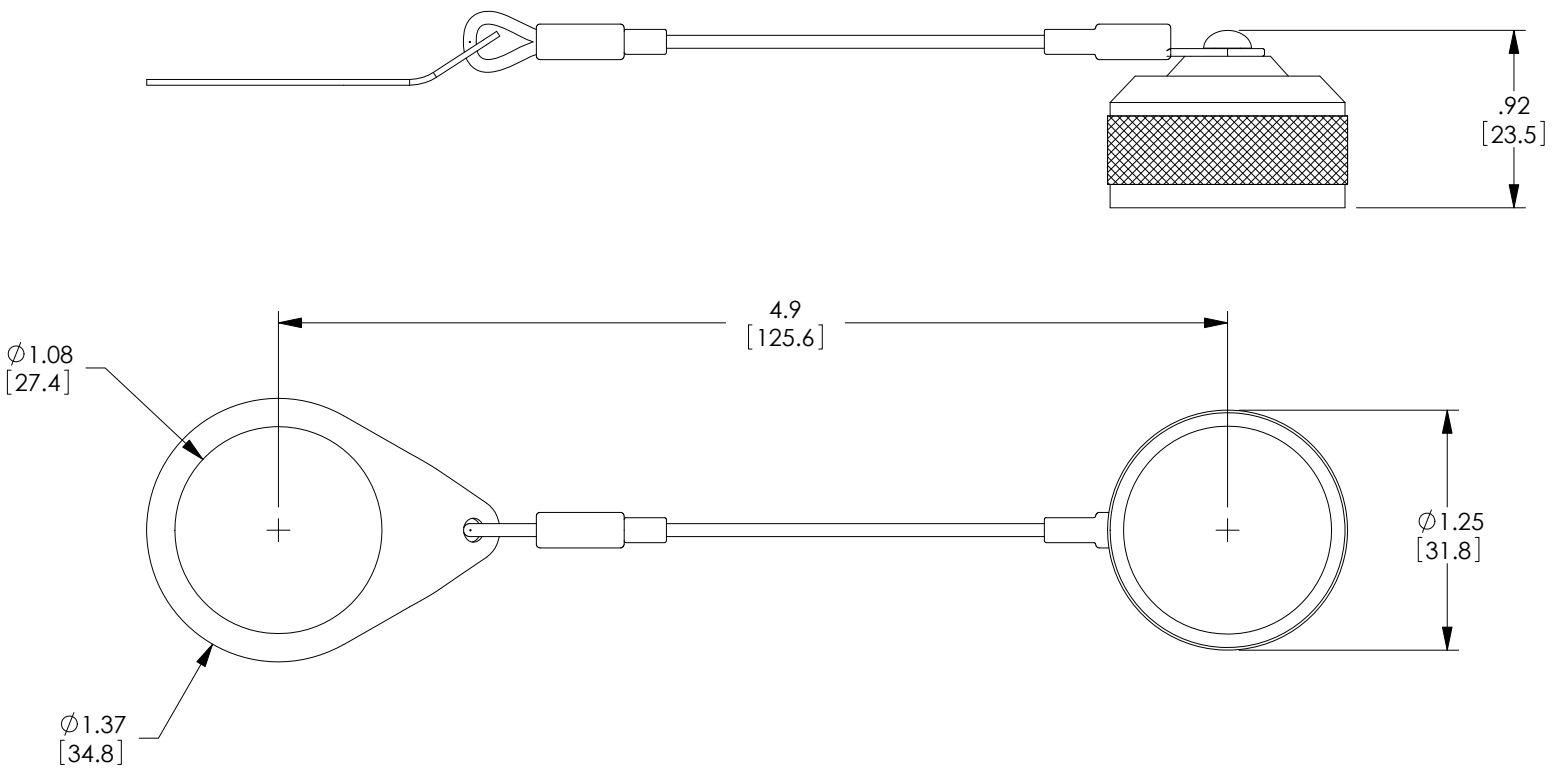


THE INFORMATION CONTAINED IN THIS DRAWING IS THE SOLE PROPERTY OF L-COM, INC. ANY REPRODUCTION IN PART OR WHOLE WITHOUT THE WRITTEN PERMISSION OF L-COM, INC. IS PROHIBITED.

REVISIONS			
REV	DESCRIPTION	DATE	APPROVED
A	INITIAL RELEASE	4/6/12	D.GRIFFIN
B	ECN 6379: ADDED IP RATING, REVISED PACKAGING NOTE	10/2/12	D.FRISIELLO



NOTES:

1. ALL DIMENSIONS ARE FOR REFERENCE ONLY.
2. MATERIALS AND FINISH:
 EXTERNAL PARTS: ALUMINUM, ZINC NICKEL PLATED
 MISCELLANEOUS HARDWARE: STAINLESS STEEL
 SEAL: SILICONE / NITRILE
 LANYARD: STAINLESS STEEL (NYLON COATED)
 COLLAR: STAINLESS STEEL
3. RATING: IP-68
4. COMPONENT ASSEMBLY SHALL BE INDIVIDUALLY PACKAGED IN ACCORDANCE WITH L-COM SPECIFICATION LSP-010-1.

UNLESS OTHERWISE SPECIFIED, DIMENSIONS ARE IN INCHES [mm] OVERALL CABLE LENGTH TOLERANCE: ≤12 [305] = +1 [25] / -0 >12 [305] ≤60 [1524] = +2 [51] / -0 >60 [1524] ≤120 [3048] = +4 [102] / -0 >120 [3048] ≤300 [7620] = +6 [152] / -0 >300 [7620] = +3% / -0%	APPROVALS	DATE		45 BEECHWOOD DRIVE NORTH ANDOVER, MA 01845
	DRAWN BY D.FRISIELLO	4/4/12		
ALL OTHER DIMENSIONAL TOLERANCES: .X = ± .2 .XX = ± .02 .XXX = ± .005	CHECKED BY D.GUITADAURO	4/4/12	CATEGORY TELECOM/MODULAR	
	APPROVED BY D.GALLAGHER	4/4/12	PRODUCT DESCRIPTION DCAP + COL LNYRD FOR JNUT ZINI	
PROJECTION 	CONFIGURATION DETAILS OF UNDIMENSIONED FEATURES MAY VARY		SIZE A	FSCM NO. 43321
COLOR VARIATIONS MAY OCCUR		DWG. NO. ECRU2203U00		REV. B
SCALE: NONE			CAD FILE: ECRU2203U00.SLDDRW	
			SHEET 1 OF 1	