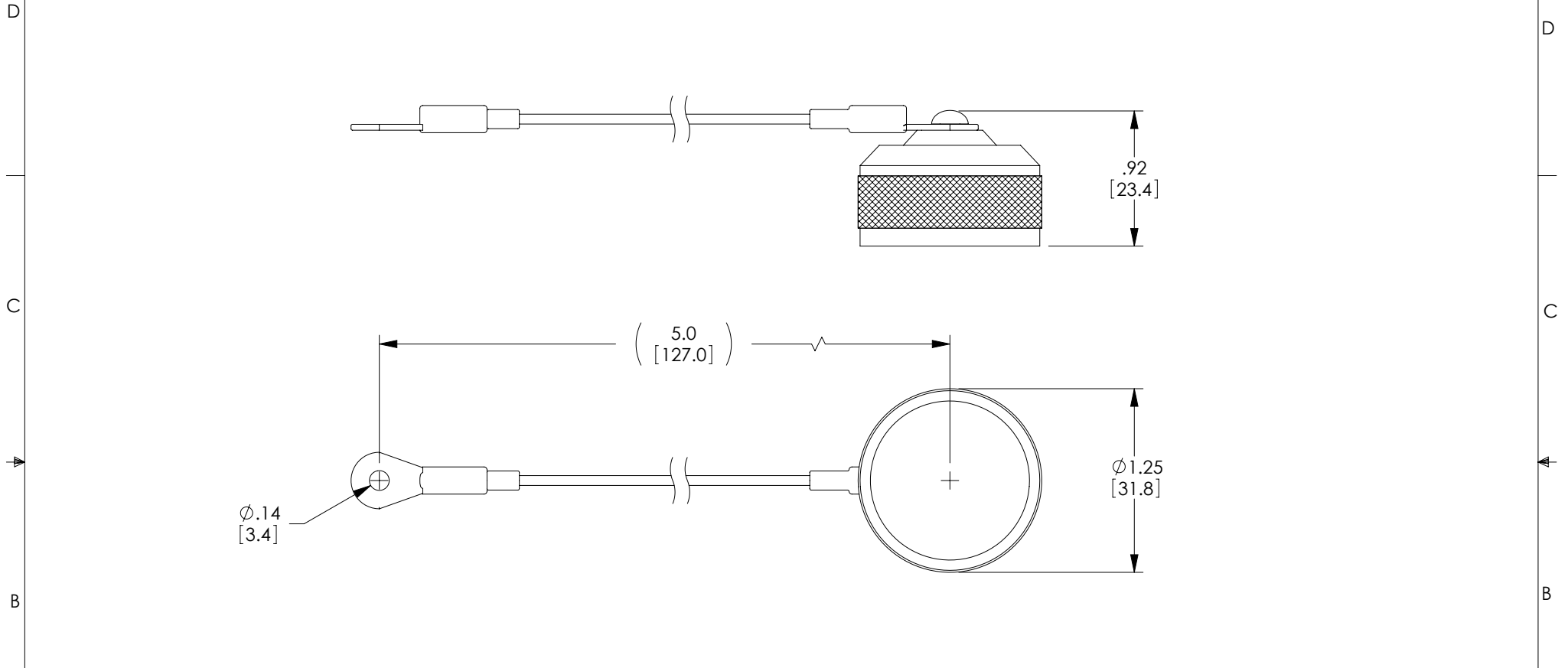


THE INFORMATION CONTAINED IN THIS DRAWING IS THE SOLE PROPERTY OF L-COM, INC. ANY REPRODUCTION IN PART OR WHOLE WITHOUT THE WRITTEN PERMISSION OF L-COM, INC. IS PROHIBITED.

REVISIONS			
REV	DESCRIPTION	DATE	APPROVED
A	INITIAL RELEASE	7/6/17	D.FRISIELLO



NOTES:

- ALL DIMENSIONS ARE FOR REFERENCE ONLY.
- MATERIALS AND FINISH:
EXTERNAL PARTS: ALUMINUM, ANODIZED (BLACK)
MISCELLANEOUS HARDWARE: STAINLESS STEEL
SEAL: SILICONE / NITRILE
LANYARD: STAINLESS STEEL (NYLON COATED)
- USED WITH FLANGE MOUNT STYLE RECEPTACLES.
- COMPONENT ASSEMBLY SHALL BE INDIVIDUALLY PACKAGED IN ACCORDANCE WITH L-COM SPECIFICATION LSP-010-1.

REGULATORY COMPLIANCE:
CE2011/65/EU (RoHS DIRECTIVE)

UNLESS OTHERWISE SPECIFIED, DIMENSIONS ARE IN INCHES [mm] OVERALL CABLE LENGTH TOLERANCE: ≤12 [305] = +1 [25] / -0 >12 [305] ≤60 [1524] = +2 [51] / -0 >60 [1524] ≤120 [3048] = +4 [102] / -0 >120 [3048] ≤300 [7620] = +6 [152] / -0 >300 [7620] = +5% / -0% ALL OTHER DIMENSIONAL TOLERANCES: .X = ±.2 [5.08] .XX = ±.02 [51] .XXX = ±.005 [1.27]	APPROVALS DRAWN BY D.FRISIELLO	DATE 6/23/17		50 HIGH STREET NORTH ANDOVER, MA 01845	
	CHECKED BY D.GUITADAURO	7/21/2017		CATEGORY TELECOM/MODULAR	
	APPROVED BY D.GUITADAURO	7/21/2017	PRODUCT DESCRIPTION DCAP + EYE LNYRD FLNG MT ANOD	SIZE A	FSCM NO. 43321
	PROJECTION 	COLOR VARIATIONS MAY OCCUR	DWG. NO. ECRU3201U00	REV. A	SCALE: NONE CAD FILE: ECRU3201U00.SLDDRW