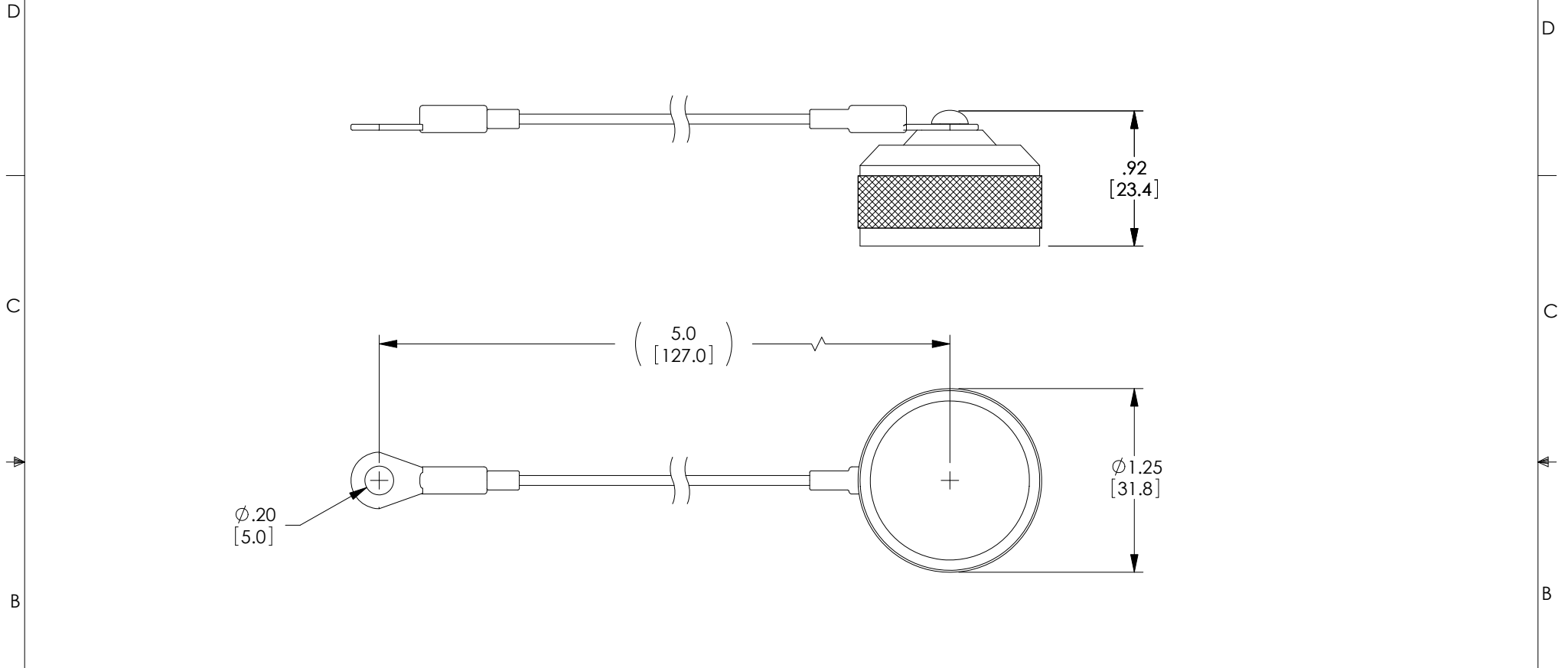


THE INFORMATION CONTAINED IN THIS DRAWING IS THE SOLE PROPERTY OF L-COM, INC. ANY REPRODUCTION IN PART OR WHOLE WITHOUT THE WRITTEN PERMISSION OF L-COM, INC. IS PROHIBITED.


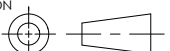
REVISIONS			
REV	DESCRIPTION	DATE	APPROVED
A	INITIAL RELEASE	2/9/18	D.FRISIELLO



NOTES:

1. ALL DIMENSIONS ARE FOR REFERENCE ONLY.
2. MATERIALS AND FINISH:  
EXTERNAL PARTS: ALUMINUM/ELECTROLESS NICKEL, (BLACK)  
MISCELLANEOUS HARDWARE: STAINLESS STEEL  
SEAL: SILICONE / NITRILE  
LANYARD: STAINLESS STEEL (NYLON COATED)
3. USED WITH FLANGE MOUNT STYLE RECEPTACLES.
4. COMPONENT ASSEMBLY SHALL BE INDIVIDUALLY PACKAGED IN ACCORDANCE WITH L-COM SPECIFICATION LSP-010-1.

**REGULATORY COMPLIANCE:**  
CE2011/65/EU(RoHS DIRECTIVE)

UNLESS OTHERWISE SPECIFIED, DIMENSIONS ARE IN INCHES [mm] OVERALL CABLE LENGTH TOLERANCE: ≤12 [305] = +1 [25] / -0 >12 [305] ≤60 [1524] = +2 [51] / -0 >60 [1524] ≤120 [3048] = +4 [102] / -0 >120 [3048] ≤300 [7620] = +6 [152] / -0 >300 [7620] = +5% / -0%	APPROVALS	DATE	 50 HIGH STREET NORTH ANDOVER, MA 01845
	DRAWN BY D.FRISIELLO	2/6/18	
ALL OTHER DIMENSIONAL TOLERANCES: .X = ± .2 [5.08] .XX = ± .02 [5.1] .XXX = ±.005 [1.3]	CHECKED BY D.GUITADAURO	2/9/18	CATEGORY <b>TELECOM/MODULAR</b>
	APPROVED BY D.GUITADAURO	2/9/18	
PROJECTION 	CONFIGURATION DETAILS OF UNDIMENSIONED FEATURES MAY VARY	PRODUCT DESCRIPTION <b>DCAP + EYE LNYRD FLNG MT EN FINISH</b>	
COLOR VARIATIONS MAY OCCUR	SIZE <b>A</b>	FSCM NO. <b>43321</b>	DWG. NO. <b>ECRU3209U00</b>
SCALE: NONE		CAD FILE: ECRU3209U00.SLDDRW	REV. <b>A</b>
SHEET 1 OF 1			

A

A