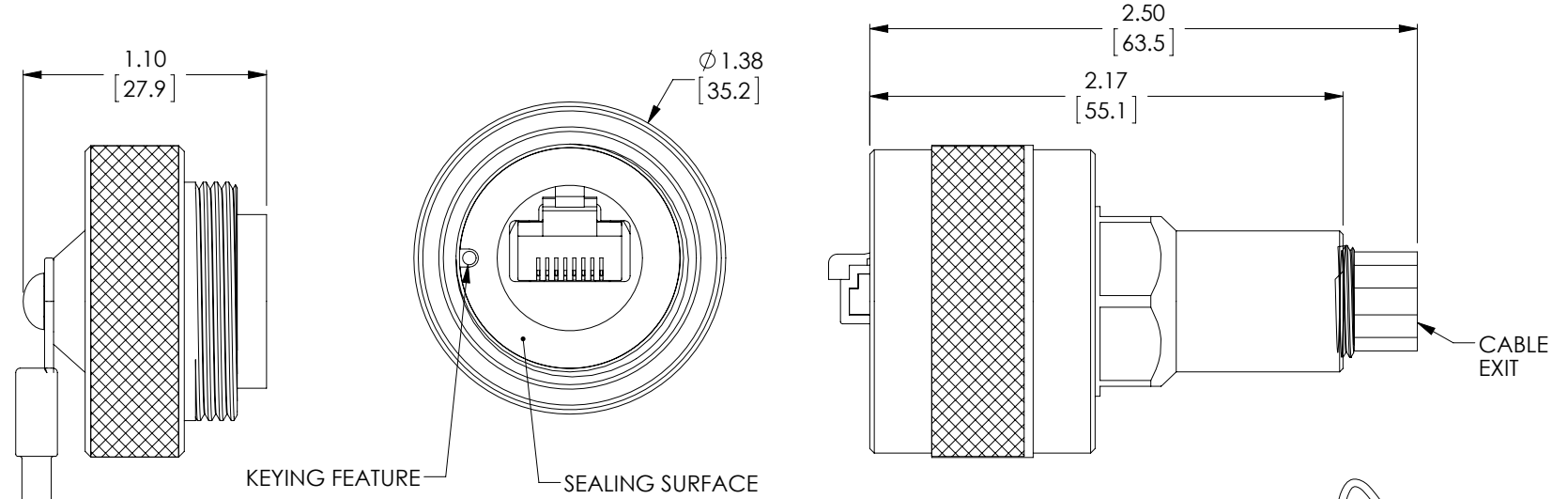


THE INFORMATION CONTAINED IN THIS DRAWING IS THE SOLE PROPERTY OF L-COM, INC. ANY REPRODUCTION IN PART OR WHOLE WITHOUT THE WRITTEN PERMISSION OF L-COM, INC. IS PROHIBITED.

REVISIONS			
REV	DESCRIPTION	DATE	APPROVED
A	INITIAL RELEASE	6/23/17	R.CLARK



SUPPLIED RJ45 PLUG
SUITABLE FOR SOLID OR
STRANDED CONNECTORS
OF .037-.042"

NOTES:

1. CABLE RANGE: .271" / .330"
2. ASSEMBLED OVERALL LENGTH IS APPROX. 3.3"
3. MATERIALS AND FINISH:
EXTERNAL PARTS: ALUMINUM, ANODIZED (BLACK)
INTERNAL PARTS: ALUMINUM
MISCELLANEOUS HARDWARE: STAINLESS STEEL
SEAL: SILICONE
LANYARD: STAINLESS STEEL (NYLON COAT)
4. LANYARD LENGTH: APPROXIMATELY 6.0"
5. RATED IP-68 WHEN MATED OR DUST CAP IS ENGAGED.
PERFORMANCE MEETS OR EXCEEDS CATEGORY 6 ANSI/EIA 568-C.
6. ALL DIMENSIONS ARE FOR REFERENCE ONLY.
7. COMPONENT SHALL BE INDIVIDUALLY PACKAGED IN ACCORDANCE WITH L-COM SPECIFICATION LSP-010-1. SHIPS UNASSEMBLED.

REGULATORY COMPLIANCE:
CE2011/65/EU(RoHS DIRECTIVE)

UNLESS OTHERWISE SPECIFIED, DIMENSIONS ARE IN INCHES [mm] OVERALL CABLE LENGTH TOLERANCE: ≤12 [305] = +1 [25] / -0 >12 [305] ≤60 [1524] = +2 [51] / -0 >60 [1524] ≤120 [3048] = +4 [102] / -0 >120 [3048] ≤300 [7620] = +6 [152] / -0 >300 [7620] = +5% / -0%	APPROVALS	DATE			50 HIGH STREET NORTH ANDOVER, MA 01845	
	DRAWN BY R.CLARK	6/23/17			CATEGORY	TELECOM/MODULAR
ALL OTHER DIMENSIONAL TOLERANCES: .X = ± .2 [5.08] .XX = ± .02 [51] .XXX = ±.005 [1.3]	CHECKED BY M.MARTINEZ	7/20/2017	PRODUCT DESCRIPTION C6 PLUG ANOD .271-330 DCAP			
	APPROVED BY DJG	7/21/2017				
PROJECTION	CONFIGURATION DETAILS OF UNDIMENSIONED FEATURES MAY VARY		SIZE A	FSCM NO. 43321	DWG. NO. ECSA4211UB0	REV. A
	COLOR VARIATIONS MAY OCCUR		SCALE: NONE	CAD FILE: ECSA4211UB0.SLDDRW		SHEET 1 OF 1