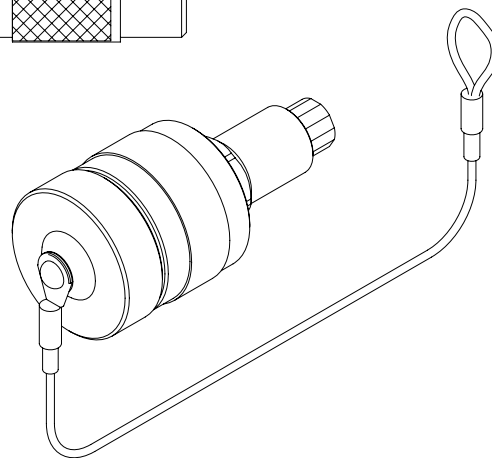
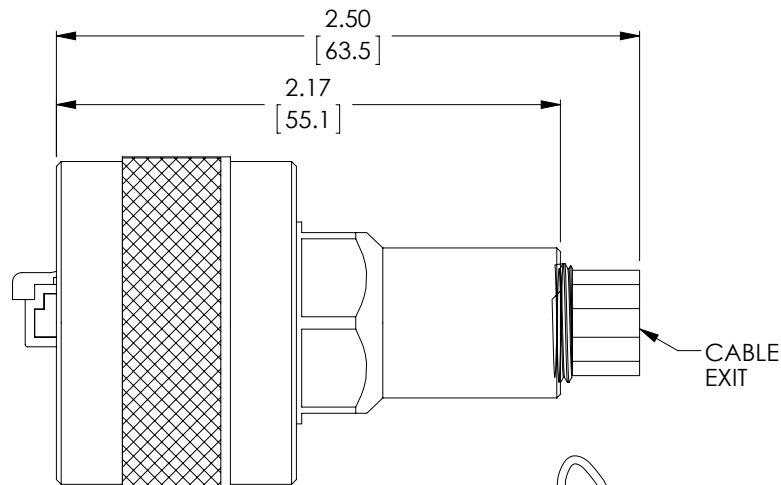
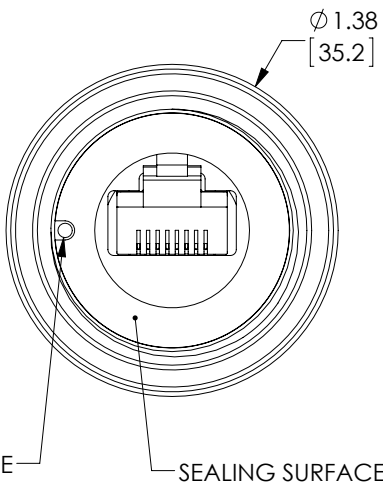
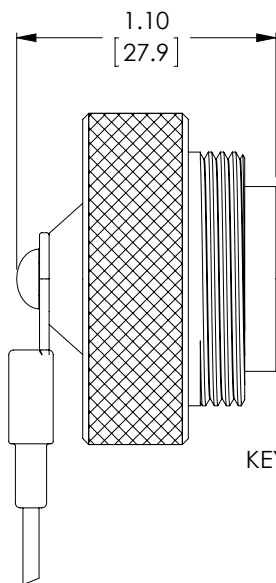


THE INFORMATION CONTAINED IN THIS DRAWING IS THE SOLE PROPERTY OF L-COM, INC. ANY REPRODUCTION IN PART OR WHOLE WITHOUT THE WRITTEN PERMISSION OF L-COM, INC. IS PROHIBITED.

REVISIONS			
REV	DESCRIPTION	DATE	APPROVED
A	INITIAL RELEASE	6/23/17	R.CLARK



NOTES:

- CABLE RANGE: .190" / .270"
- ASSEMBLED OVERALL LENGTH IS APPROX. 3.3"
- MATERIALS AND FINISH:
 EXTERNAL PARTS: ALUMINUM, ZINC NICKEL (OLIVE DRAB)
 INTERNAL PARTS: ALUMINUM
 MISCELLANEOUS HARDWARE: STAINLESS STEEL
 SEAL: SILICONE
 LANYARD: STAINLESS STEEL (NYLON COAT)
- LANYARD LENGTH: APPROXIMATELY 6.0"
- RATED IP-68 WHEN MATED OR DUST CAP IS ENGAGED.
 PERFORMANCE MEETS OR EXCEEDS CATEGORY 6 ANSI/EIA 568-C.
- ALL DIMENSIONS ARE FOR REFERENCE ONLY.
- COMPONENT SHALL BE INDIVIDUALLY PACKAGED IN ACCORDANCE WITH L-COM SPECIFICATION LSP-010-1. SHIPS UNASSEMBLED.

SUPPLIED SHIELDED RJ45 PLUG IS GOLD PLATED AND SUITABLE FOR SOLID OR STRANDED CONNECTORS OF .037-.042"

UNLESS OTHERWISE SPECIFIED, DIMENSIONS ARE IN INCHES [mm] OVERALL CABLE LENGTH TOLERANCE: ≤12 [305] = +1 [25] / -0 >12 [305] ≤60 [1524] = +2 [51] / -0 >60 [1524] ≤120 [3048] = +4 [102] / -0 >120 [3048] ≤300 [7620] = +6 [152] / -0 >300 [7620] = +5% / -0% ALL OTHER DIMENSIONAL TOLERANCES: .X = ±.2 [5.08] .XX = ±.02 [5.1] .XXX = ±.005 [1.3]	APPROVALS R.CLARK	DATE 6/23/17		50 HIGH STREET NORTH ANDOVER, MA 01845	
	CHECKED BY M.MARTINEZ	DATE 7/20/2017		CATEGORY TELECOM/MODULAR	
	APPROVED BY DJG	DATE 7/21/2017	PRODUCT DESCRIPTION C6 PLUG ZNNI .190-.270 DCAP		
	CONFIGURATION DETAILS OF UNDIMENSIONED FEATURES MAY VARY	COLOR VARIATIONS MAY OCCUR	SIZE A	FSCM NO. 43321	DWG. NO. ECSA4213UA0
PROJECTION 	SCALE: NONE		CAD FILE: ECSA4213UA0.SLDDRW		
			REV. A	SHEET 1 OF 1	