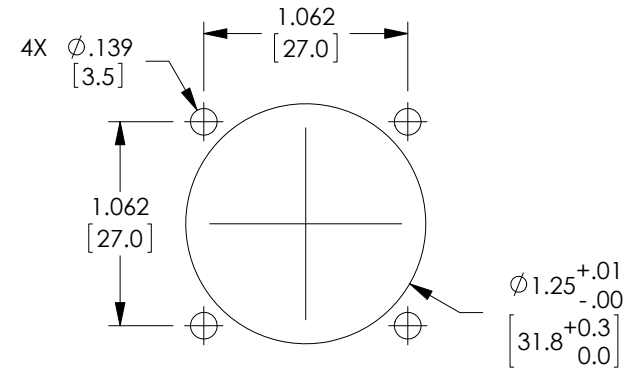
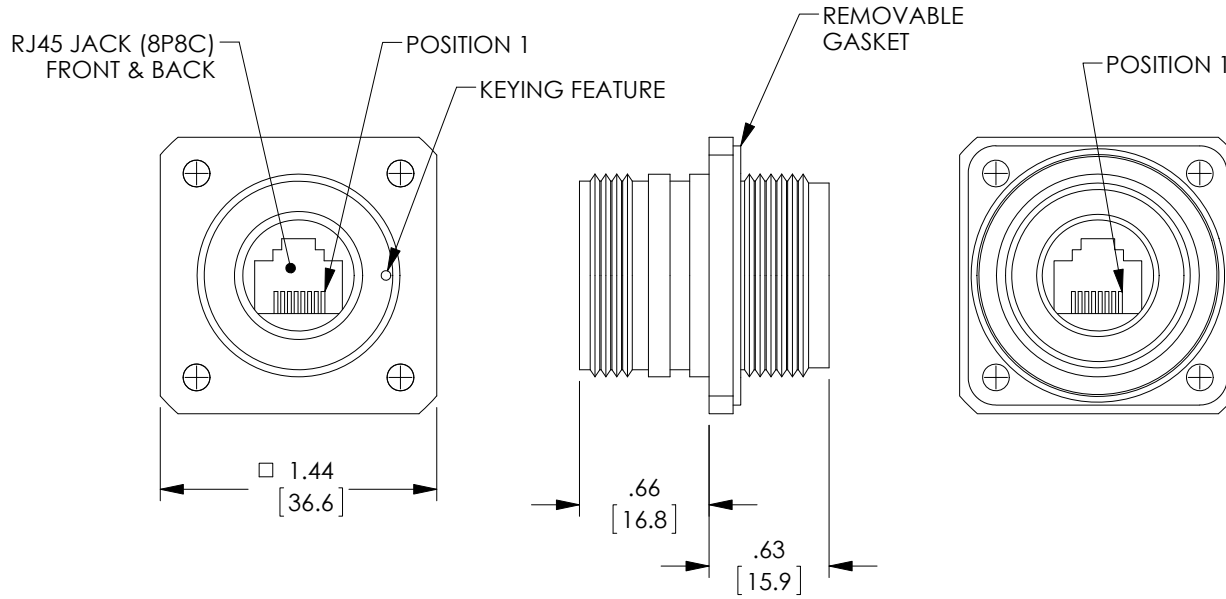


THE INFORMATION CONTAINED IN THIS DRAWING IS THE SOLE PROPERTY OF L-COM, INC. ANY REPRODUCTION IN PART OR WHOLE WITHOUT THE WRITTEN PERMISSION OF L-COM, INC. IS PROHIBITED.


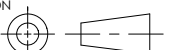
REVISIONS			
REV	DESCRIPTION	DATE	APPROVED
A	INITIAL RELEASE	7/31/17	D.FRISIELLO



**NOTES:**

- MATERIAL:**  
EXTERNAL PARTS: ALUMINUM/BLACK ANODIZED  
INTERNAL PARTS: ALUMINUM  
SEALS: SILICONE/NITRILE
- MISCELLANEOUS:**  
RATING: IP-68  
MOUNTING HARDWARE NOT INCLUDED.  
PERFORMANCE MEETS OR EXCESS CATEGORY 6  
ANSI/EIA 568-C.2 SPECIFICATIONS.
- KIT INCLUDES:**  
(1) GASKET
- ALL DIMENSIONS ARE FOR REFERENCE ONLY.
- COMPONENT SHALL BE INDIVIDUALLY PACKAGED  
IN ACCORDANCE WITH L-COM SPECIFICATION LSP-010-1

**REGULATORY COMPLIANCE:**  
CE2011/65/EU(RoHS DIRECTIVE)

UNLESS OTHERWISE SPECIFIED, DIMENSIONS ARE IN INCHES [mm] OVERALL CABLE LENGTH TOLERANCE: ≤12 [305] = +1 [25] / -0 >12 [305] ≤60 [1524] = +2 [51] / -0 >60 [1524] ≤120 [3048] = +4 [102] / -0 >120 [3048] ≤300 [7620] = +6 [152] / -0 >300 [7620] = +5% / -0%	APPROVALS	DATE	 50 HIGH STREET NORTH ANDOVER, MA 01845	
	DRAWN BY D.FRISIELLO	6/23/17		
ALL OTHER DIMENSIONAL TOLERANCES: .X = ±.2 [5.08] .XX = ±.02 [1.51] .XXX = ±.005 [1.13]	CHECKED BY M.MARTINEZ	7/21/17	PRODUCT DESCRIPTION <b>C6 FLNG MNT ANOD</b>	
	APPROVED BY D.GUITADAURO	7/21/17		
PROJECTION 	COLOR VARIATIONS MAY OCCUR	SIZE <b>A</b>	FSCM NO. <b>43321</b>	DWG. NO. ECSD0201U00
		SCALE: NONE	CAD FILE: ECSD0201U00.SLDRW	REV. <b>A</b>
			SHEET 1 OF 1	