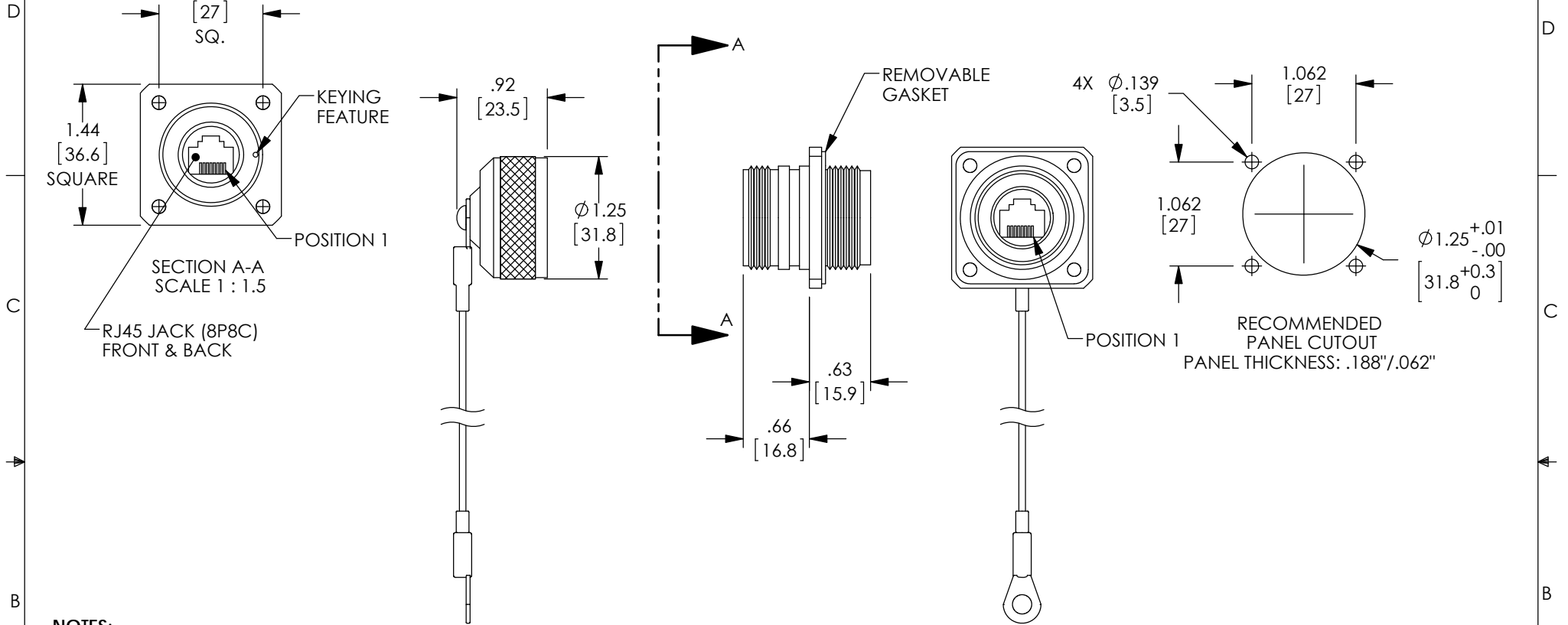


THE INFORMATION CONTAINED IN THIS DRAWING IS THE SOLE PROPERTY OF L-COM, INC. ANY REPRODUCTION IN PART OR WHOLE WITHOUT THE WRITTEN PERMISSION OF L-COM, INC. IS PROHIBITED.

REVISIONS			
REV	DESCRIPTION	DATE	APPROVED
A	INITIAL RELEASE	7/21/17	D.FRISIELLO



NOTES:

- MATERIAL:**
 EXTERNAL PARTS: ALUMINUM/BLACK ANODIZED
 INTERNAL PARTS: ALUMINUM
 MISC. HARDWARE: STAINLESS STEEL
 SEALS: SILICONE/NITRILE
- MISCELLANEOUS:**
 RATING: IP-68
 MOUNTING HARDWARE NOT INCLUDED.
 PERFORMANCE MEETS OR EXCESS CATEGORY 6
 ANSI/EIA 568-C.2 SPECIFICATIONS.
- KIT INCLUDES:**
 (1) DUST CAP WITH LANYARD
 (1) GASKET
- ALL DIMENSIONS ARE FOR REFERENCE ONLY.**
- COMPONENT SHALL BE INDIVIDUALLY PACKAGED
 IN ACCORDANCE WITH L-COM SPECIFICATION LSP-010-1**

REGULATORY COMPLIANCE:
 CE2011/65/EU(RoHS DIRECTIVE)

UNLESS OTHERWISE SPECIFIED, DIMENSIONS ARE IN INCHES [mm] OVERALL CABLE LENGTH TOLERANCE: ≤12 [305] = +1 [25] / -0 >12 [305] ≤60 [1524] = +2 [51] / -0 >60 [1524] ≤120 [3048] = +4 [102] / -0 >120 [3048] ≤300 [7620] = +6 [152] / -0 >300 [7620] = +5% / -0%	APPROVALS	DATE	50 HIGH STREET NORTH ANDOVER, MA 01845	
	DRAWN BY D.FRISIELLO	6/26/17		
ALL OTHER DIMENSIONAL TOLERANCES: .X = ± .2 [5.08] .XX = ± .02 [1.51] .XXX = ± .005 [1.13]	CHECKED BY M.MARTINEZ	7/21/17	PRODUCT DESCRIPTION C6 FLNG MNT ANOD DCAP	
	APPROVED BY D.GUITADAURO	7/21/17		
PROJECTION 	SIZE A	FSCM NO. 43321	DWG. NO. ECSD3201U00	REV. A
SCALE: NONE		CAD FILE: ECSD3201U00.SLDRW		SHEET 1 OF 1