

THE INFORMATION CONTAINED IN THIS DRAWING IS THE SOLE PROPERTY OF L-COM, INC. ANY REPRODUCTION IN PART OR WHOLE WITHOUT THE WRITTEN PERMISSION OF L-COM, INC. IS PROHIBITED.

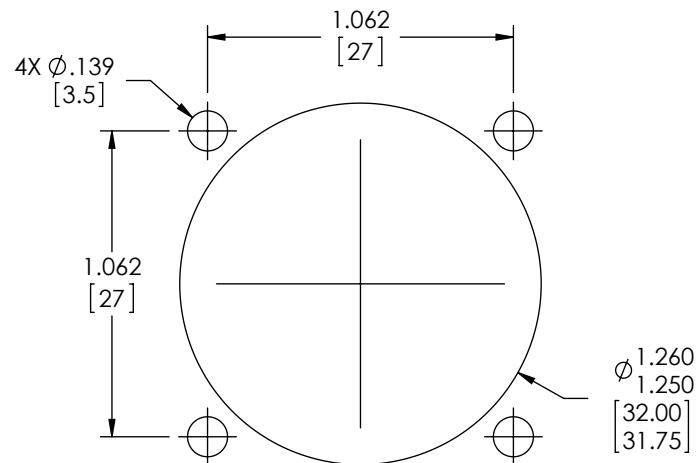
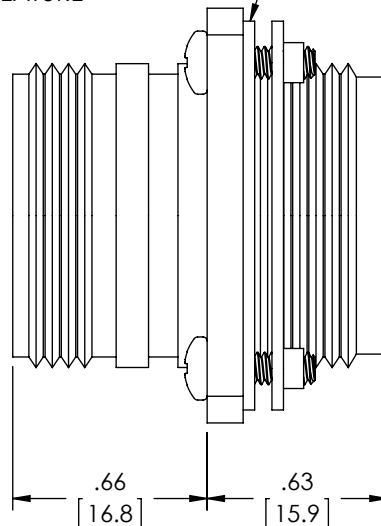
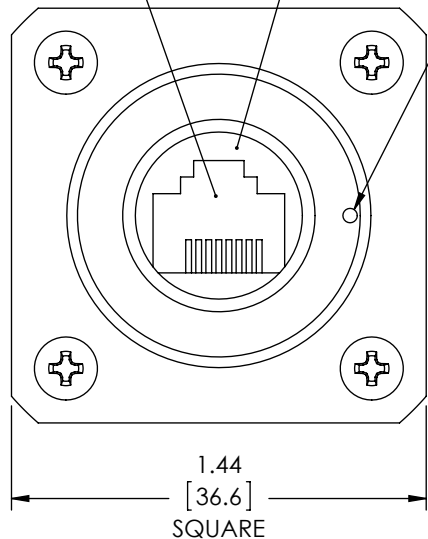
REVISIONS			
REV	DESCRIPTION	DATE	APPROVED
A	INITIAL RELEASE	6/26/17	R.CLARK

RJ45 (8X8)  
FEMALE  
FRONT/BACK

EMI SHIELD  
(FRONT/BACK)

REMOVABLE  
EMI GASKET


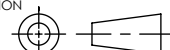
KEYING FEATURE



RECOMMENDED  
PANEL CUTOUT  
PANEL THICKNESS  
.188/.062"

**NOTES:**

- MATERIAL:**  
EXTERNAL PARTS: ALUMINUM, ZINC NICKEL (OLIVE DRAB)  
INTERNAL PARTS: ALUMINUM  
MISC. HARDWARE: STAINLESS STEEL  
SEALS: SILICONE/NITRILE  
LANYARD: STAINLESS STEEL (NYLON COAT)  
LENGTH APPROXIMATELY 6.0"
- RATED IP-68.**  
PERFORMANCE MEETS OR EXCEEDS CATEGORY 6 ANSI/EIA 568-C.
- KIT INCLUDES:**  
(1) MOUNTING BRACKET WITH (4) SELF-LOCKING NUTS  
(1) GASKET  
(4) SCREWS, PPH, SS, #4-40 X .375, SELF-SEALING
- ALL DIMENSIONS ARE FOR REFERENCE ONLY.**
- COMPONENT SHALL BE INDIVIDUALLY PACKAGED IN ACCORDANCE WITH L-COM SPECIFICATION LSP-010-1. SHIPS UNASSEMBLED.**

UNLESS OTHERWISE SPECIFIED, DIMENSIONS ARE IN INCHES [mm] OVERALL CABLE LENGTH TOLERANCE: ≤12 [305] = +1 [25] / -0 >12 [305] ≤60 [1524] = +2 [51] / -0 >60 [1524] ≤120 [3048] = +4 [102] / -0 >120 [3048] ≤300 [7620] = +6 [152] / -0 >300 [7620] = +5% / -0%	APPROVALS	DATE	 50 HIGH STREET NORTH ANDOVER, MA 01845	
	DRAWN BY R.CLARK	6/26/17		
ALL OTHER DIMENSIONAL TOLERANCES: .X = ± .2 [5.08] .XX = ± .02 [1.51] .XXX = ±.005 [1.13]	CHECKED BY M.MARTINEZ	7/20/2017	PRODUCT DESCRIPTION <b>C6 FLNG MNT SHLD ZNNI W/HW</b>	
	APPROVED BY DJG	7/21/2017		
PROJECTION 	CONFIGURATION DETAILS OF UNDIMENSIONED FEATURES MAY VARY		SCALE: NONE    CAD FILE: ECSh0103U00.SLDDRW    SHEET 1 OF 1	
COLOR VARIATIONS MAY OCCUR				