

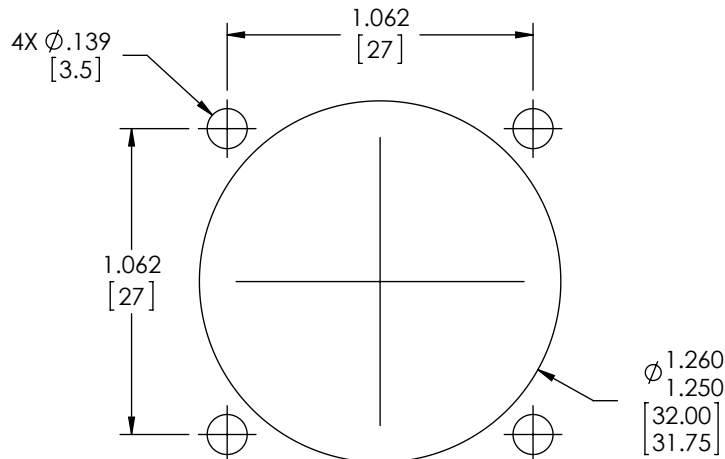
THE INFORMATION CONTAINED IN THIS DRAWING IS THE SOLE PROPERTY OF L-COM, INC. ANY REPRODUCTION IN PART OR WHOLE WITHOUT THE WRITTEN PERMISSION OF L-COM, INC. IS PROHIBITED.

REVISIONS			
REV	DESCRIPTION	DATE	APPROVED
A	INITIAL RELEASE	6/26/17	R.CLARK

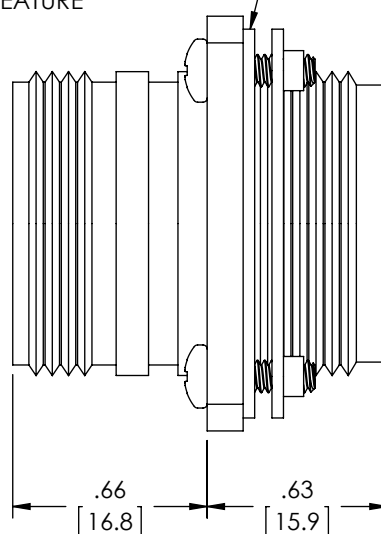
RJ45 (8X8)  
FEMALE  
FRONT/BACK

KEYING FEATURE

REMOVABLE  
GASKET




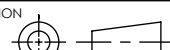
RECOMMENDED  
PANEL CUTOUT  
PANEL THICKNESS  
.188/.062"



**NOTES:**

- MATERIAL:**  
EXTERNAL PARTS: ALUMINUM, BLACK ANODIZED (BLACK)  
INTERNAL PARTS: ALUMINUM  
MISC. HARDWARE: STAINLESS STEEL  
SEALS: SILICONE
- RATED IP-68.**  
PERFORMANCE MEETS OR EXCEEDS CATEGORY 6 ANSI/EIA 568-C.
- KIT INCLUDES:**  
(1) DUST CAP WITH LANYARD  
(1) MOUNTING BRACKET WITH (4) SELF-LOCKING NUTS  
(1) GASKET  
(4) SCREWS, PPH, SS, #4-40 X .375, SELF-SEALING
- ALL DIMENSIONS ARE FOR REFERENCE ONLY.**
- COMPONENT SHALL BE INDIVIDUALLY PACKAGED IN ACCORDANCE WITH L-COM SPECIFICATION LSP-010-1. SHIPS UNASSEMBLED.**

**REGULATORY COMPLIANCE:**  
CE2011/65/EU(RoHS DIRECTIVE)

UNLESS OTHERWISE SPECIFIED, DIMENSIONS ARE IN INCHES [mm] OVERALL CABLE LENGTH TOLERANCE: <math>\le 12 [305] = +1 [25] / -0</math> <math>>12 [305] \le 60 [1524] = +2 [51] / -0</math> <math>>60 [1524] \le 120 [3048] = +4 [102] / -0</math> <math>>120 [3048] \le 300 [7620] = +6 [152] / -0</math> <math>>300 [7620] = +5\% / -0\%</math>	APPROVALS	DATE	 50 HIGH STREET NORTH ANDOVER, MA 01845	
	DRAWN BY R.CLARK	6/26/17		
ALL OTHER DIMENSIONAL TOLERANCES: .X = ± .2 [5.08] .XX = ± .02 [51] .XXX = ± .005 [1.27]	CHECKED BY M.MARTINEZ	7/20/2017	PRODUCT DESCRIPTION <b>C6 FLNG MNT ANOD W/HW</b>	
PROJECTION 	APPROVED BY DJG	7/21/2017		
	COLOR VARIATIONS MAY OCCUR	SIZE <b>A</b>	FSCM NO. <b>43321</b>	DWG. NO. ECSH0201U00
		SCALE: NONE	CAD FILE: ECOSH0201U00.SLDDRW	REV. <b>A</b>