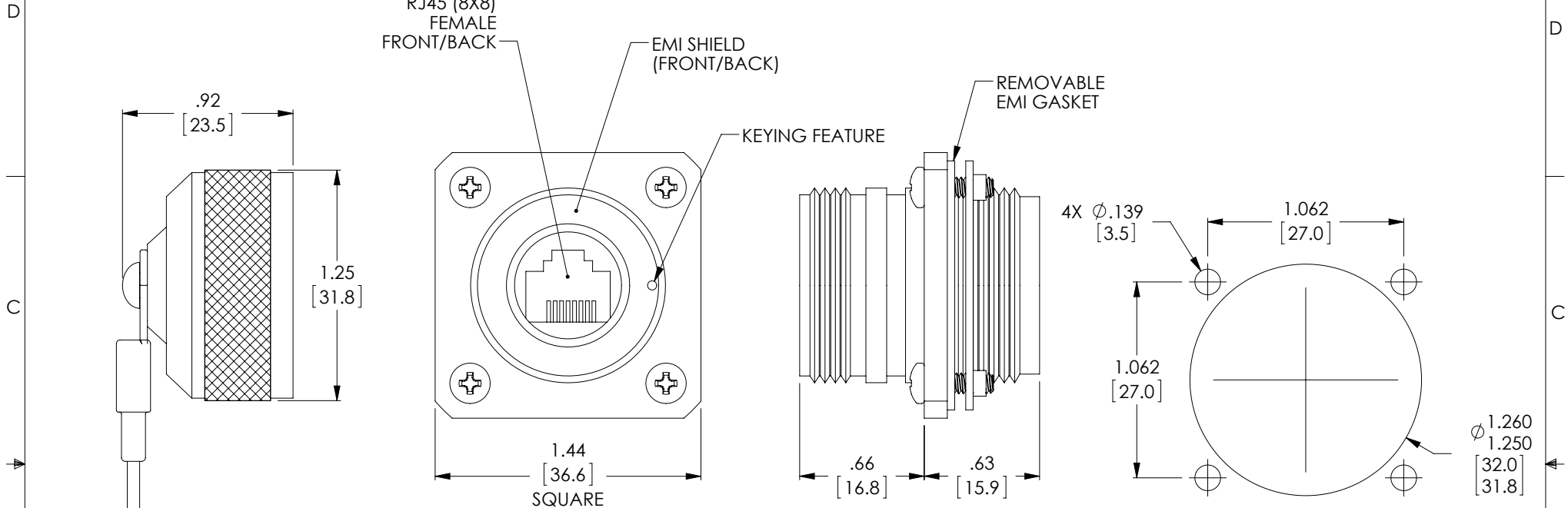


THE INFORMATION CONTAINED IN THIS DRAWING IS THE SOLE PROPERTY OF L-COM, INC. ANY REPRODUCTION IN PART OR WHOLE WITHOUT THE WRITTEN PERMISSION OF L-COM, INC. IS PROHIBITED.

REVISIONS			
REV	DESCRIPTION	DATE	APPROVED
A	INITIAL RELEASE	6/26/17	R.CLARK



RECOMMENDED
PANEL CUTOUT
PANEL THICKNESS
.188/.062"

- NOTES:**
- MATERIAL:**
EXTERNAL PARTS: ALUMINUM, ZINC NICKEL (OLIVE DRAB)
INTERNAL PARTS: ALUMINUM
MISC. HARDWARE: STAINLESS STEEL
SEALS: SILICONE/NITRILE
LANYARD: STAINLESS STEEL (NYLON COAT)
LENGTH APPROXIMATELY 6.0"
 - RATED IP-68.**
PERFORMANCE MEETS OR EXCEEDS CATEGORY 6 ANSI/EIA 568-C.
 - KIT INCLUDES:**
(1) DUST CAP WITH LANYARD
(1) MOUNTING BRACKET WITH (4) SELF-LOCKING NUTS
(1) GASKET
(4) SCREWS, PPH, SS, #4-40 X .375, SELF-SEALING
 - ALL DIMENSIONS ARE FOR REFERENCE ONLY.
 - COMPONENT SHALL BE INDIVIDUALLY PACKAGED IN ACCORDANCE WITH L-COM SPECIFICATION LSP-010-1. SHIPS UNASSEMBLED.

UNLESS OTHERWISE SPECIFIED, DIMENSIONS ARE IN INCHES [mm] OVERALL CABLE LENGTH TOLERANCE: ≤12 [305] = +1 [25] / -0 >12 [305] ≤60 [1524] = +2 [51] / -0 >60 [1524] ≤120 [3048] = +4 [102] / -0 >120 [3048] ≤300 [7620] = +6 [152] / -0 >300 [7620] = +5% / -0% ALL OTHER DIMENSIONAL TOLERANCES: .X = ±.2 [5.08] .XX = ±.02 [51] .XXX = ±.005 [1.27]	APPROVALS	DATE	50 HIGH STREET NORTH ANDOVER, MA 01845				
	DRAWN BY R.CLARK	6/26/17		CATEGORY TELECOM/MODULAR			
	CHECKED BY M.MARTINEZ	7/20/2017					
	APPROVED BY DJG	7/21/2017		PRODUCT DESCRIPTION C6 FLNGMT SHLD ZNNI HW&DC			
PROJECTION 	CONFIGURATION DETAILS OF UNDIMENSIONED FEATURES MAY VARY	COLOR VARIATIONS MAY OCCUR	<table border="1"> <tr> <td>SIZE A</td> <td>FSCM NO. 43321</td> <td>DWG. NO. ECSH3103U00</td> <td>REV. A</td> </tr> </table>	SIZE A	FSCM NO. 43321	DWG. NO. ECSH3103U00	REV. A
SIZE A	FSCM NO. 43321	DWG. NO. ECSH3103U00	REV. A				
SCALE: NONE		CAD FILE: EC3H3103U00.SLDRW					
			SHEET 1 OF 1				