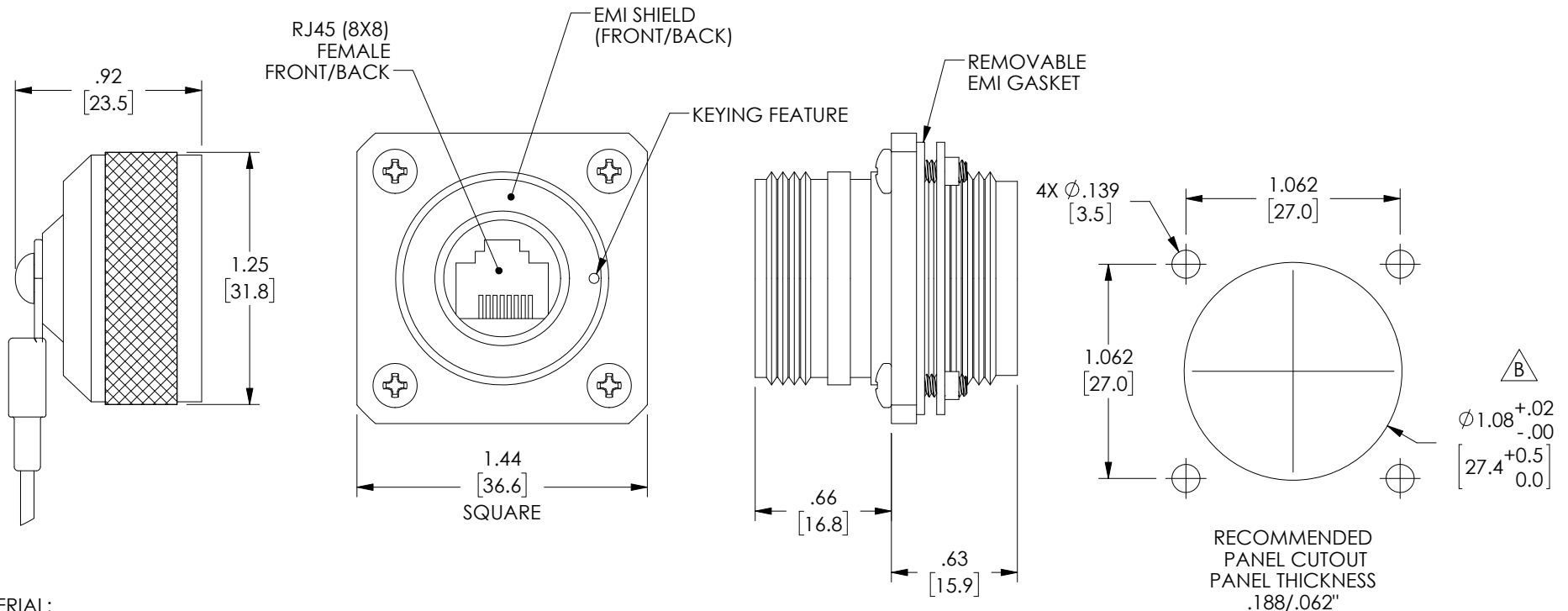


THE INFORMATION CONTAINED IN THIS DRAWING IS THE SOLE PROPERTY OF L-COM, INC. ANY REPRODUCTION IN PART OR WHOLE WITHOUT THE WRITTEN PERMISSION OF L-COM, INC. IS PROHIBITED.


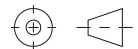
REVISIONS			
REV	DESCRIPTION	DATE	APPROVED
A	INITIAL RELEASE	02/09/2018	DFRISIELLO
B	ECN 10357: REVISED CUTOUT HOLE TO 1.08 +.02/-0	02/10/2020	GUITADAURO



NOTES:

- MATERIAL:**
EXTERNAL PARTS: ALUMINUM/ELECTROLESS NICKEL, (BLACK)
INTERNAL PARTS: ALUMINUM
MISC. HARDWARE: STAINLESS STEEL
SEALS: SILICONE/NITRILE
LANYARD: STAINLESS STEEL (NYLON COAT)
LENGTH APPROXIMATELY 6.0"
- RATED IP-68.**
PERFORMANCE MEETS OR EXCEEDS CATEGORY 6 ANSI/EIA 568-C.
- KIT INCLUDES:**
(1) DUST CAP WITH LANYARD
(1) MOUNTING BRACKET WITH (4) SELF-LOCKING NUTS
(1) GASKET
(4) SCREWS, PPH, SS, #4-40 X .375, SELF-SEALING
- ALL DIMENSIONS ARE FOR REFERENCE ONLY.
- COMPONENT SHALL BE INDIVIDUALLY PACKAGED IN ACCORDANCE WITH L-COM SPECIFICATION LSP-010-1. SHIPS UNASSEMBLED.

REGULATORY COMPLIANCE:
EU RoHS DIRECTIVE (MOST RECENT RELEASED VERSION)

UNLESS OTHERWISE SPECIFIED, DIMENSIONS ARE IN INCHES [mm]	APPROVALS	DATE	 50 High Street, West Mill, North Andover, MA 01845 USA. Phone: 1.800.341.5266 1.978.682.6936
	DRAWN BY DFRISIELLO	02/06/2018	
OVERALL CABLE LENGTH TOLERANCE:	CHECKED BY GUITADAURO	02/09/2018	CATEGORY TELECOM/MODULAR
≤ 12 [305] = +1 [25] / -0 > 12 [305] ≤ 60 [1524] = +2 [51] / -0 > 60 [1524] ≤ 120 [3048] = +4 [102] / -0 > 120 [3048] ≤ 300 [7620] = +6 [152] / -0 > 300 [7620] = +5% / -0	APPROVED BY GUITADAURO	02/09/2018	
ALL OTHER DIMENSIONAL TOLERANCES:	CONFIGURATION DETAILS OF UNDIMENSIONED FEATURES MAY VARY		PRODUCT DESCRIPTION C6 FLNG MNT SHLD SEALED EN W/DUST CAP
$.X = \pm .2$ [5] $.XX = \pm .02$ [.5] $.XXX = \pm .005$ [.13]	COLOR VARIATIONS MAY OCCUR	SIZE A	CAGE CODE 43321
THIRD-ANGLE PROJECTION		ITEM NO. ECSH3109U00	REV. B
		SCALE: NONE	CAD FILE: EC3H3109U00.SLDDRW
			SHEET 1 OF 1