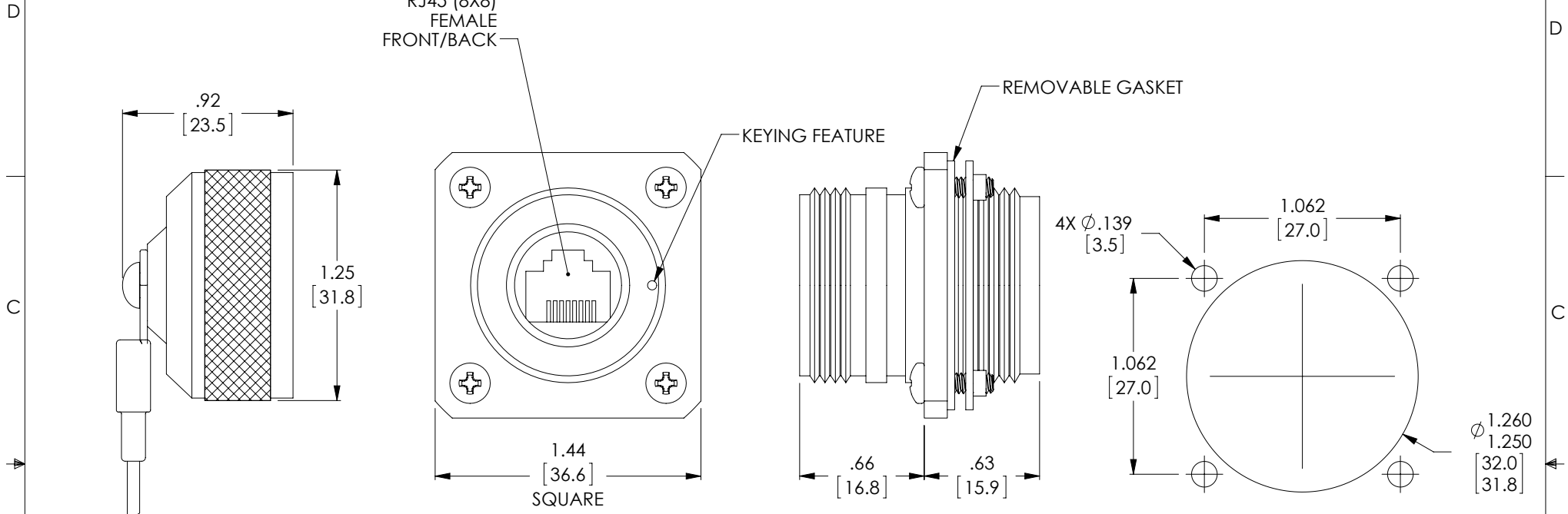


THE INFORMATION CONTAINED IN THIS DRAWING IS THE SOLE PROPERTY OF L-COM, INC. ANY REPRODUCTION IN PART OR WHOLE WITHOUT THE WRITTEN PERMISSION OF L-COM, INC. IS PROHIBITED.

REVISIONS			
REV	DESCRIPTION	DATE	APPROVED
A	INITIAL RELEASE	6/26/17	R.CLARK



**NOTES:**

- MATERIAL:**  
 EXTERNAL PARTS: ALUMINUM, BLACK ANODIZED (BLACK)  
 INTERNAL PARTS: ALUMINUM  
 MISC. HARDWARE: STAINLESS STEEL  
 SEALS: SILICONE/NITRILE  
 LANYARD: STAINLESS STEEL (NYLON COAT)  
 LENGTH APPROXIMATELY 6.0"
- RATED IP-68.**  
 PERFORMANCE MEETS OR EXCEEDS CATEGORY 6 ANSI/EIA 568-C.
- KIT INCLUDES:**  
 (1) DUST CAP WITH LANYARD  
 (1) MOUNTING BRACKET WITH (4) SELF-LOCKING NUTS  
 (1) GASKET  
 (4) SCREWS, PPH, SS, #4-40 X .375, SELF-SEALING
- ALL DIMENSIONS ARE FOR REFERENCE ONLY.
- COMPONENT SHALL BE INDIVIDUALLY PACKAGED IN ACCORDANCE WITH L-COM SPECIFICATION LSP-010-1. SHIPS UNASSEMBLED.

**REGULATORY COMPLIANCE:**  
 CE2011/65/EU(RoHS DIRECTIVE)

UNLESS OTHERWISE SPECIFIED, DIMENSIONS ARE IN INCHES [mm] OVERALL CABLE LENGTH TOLERANCE: <math>\le 12 [305] = +1 [25] / -0</math> <math>>12 [305] \le 60 [1524] = +2 [51] / -0</math> <math>>60 [1524] \le 120 [3048] = +4 [102] / -0</math> <math>>120 [3048] \le 300 [7620] = +6 [152] / -0</math> <math>>300 [7620] = +5\% / -0\%</math>	APPROVALS	DATE		50 HIGH STREET NORTH ANDOVER, MA 01845				
	DRAWN BY R.CLARK	6/26/17		CATEGORY TELECOM/MODULAR				
ALL OTHER DIMENSIONAL TOLERANCES: .X = ± .2 [5.08] .XX = ± .02 [51] .XXX = ± .005 [1.27]	CHECKED BY M.MARTINEZ	7/20/2017	PRODUCT DESCRIPTION C6 FLNG MNT ANOD W/ HW&DC					
PROJECTION	APPROVED BY DJG	7/21/2017	<table border="1"> <tr> <td>SIZE <b>A</b></td> <td>FSCM NO. <b>43321</b></td> <td>DWG. NO. ECSH3201U00</td> <td>REV. <b>A</b></td> </tr> </table>	SIZE <b>A</b>	FSCM NO. <b>43321</b>	DWG. NO. ECSH3201U00	REV. <b>A</b>	
SIZE <b>A</b>	FSCM NO. <b>43321</b>	DWG. NO. ECSH3201U00	REV. <b>A</b>					
	COLOR VARIATIONS MAY OCCUR		SCALE: NONE	CAD FILE: ECSh3201U00.SLDDRW				
				SHEET 1 OF 1				