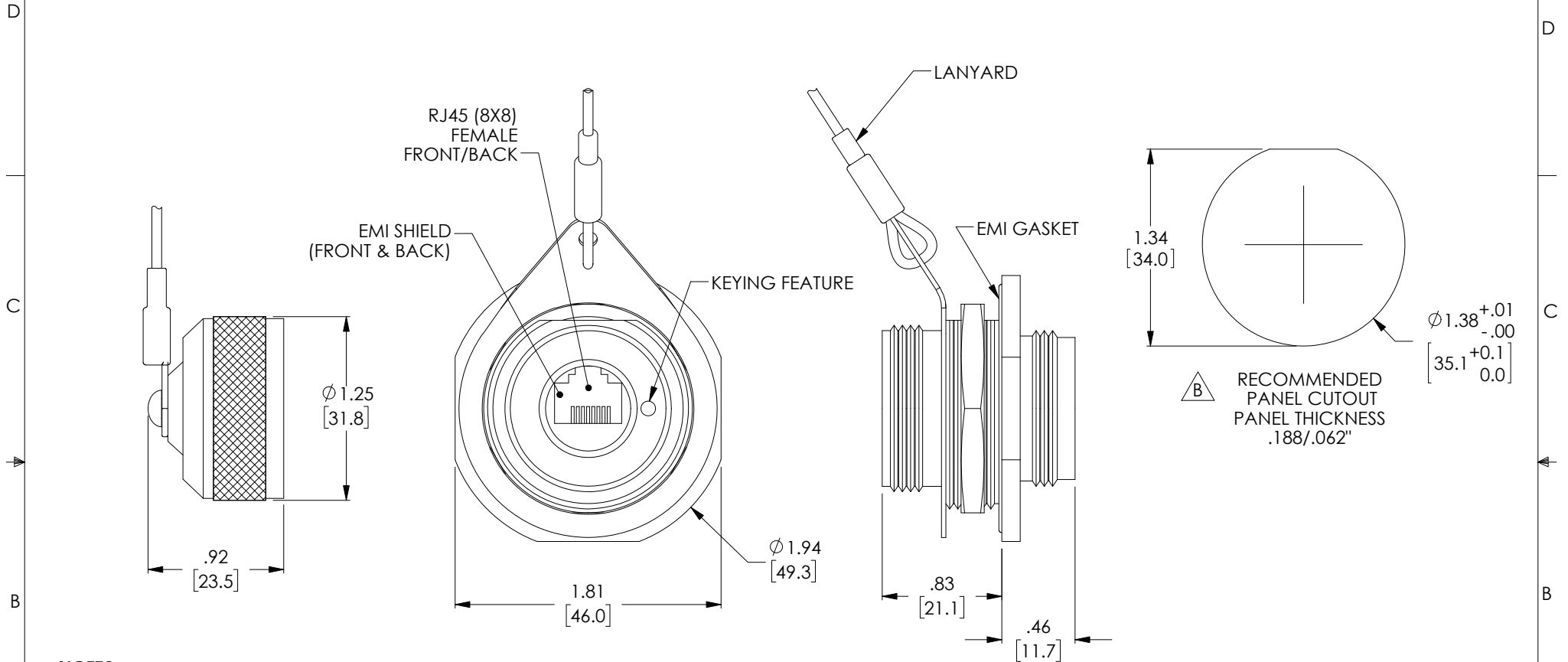


THE INFORMATION CONTAINED IN THIS DRAWING IS THE SOLE PROPERTY OF L-COM, INC. ANY REPRODUCTION IN PART OR WHOLE WITHOUT THE WRITTEN PERMISSION OF L-COM, INC. IS PROHIBITED.

REVISIONS			
REV	DESCRIPTION	DATE	APPROVED
A	INITIAL RELEASE	06/26/2017	RCLARK
B	ECN 9387: REVISED RECOMMENDED PANEL CUTOUT	08/29/2018	DFRISIELLO



NOTES:

- MATERIAL:**
 EXTERNAL PARTS: ALUMINUM, ZINC NICKEL (OLIVE DRAB)
 INTERNAL PARTS: ALUMINUM
 MISC. HARDWARE: STAINLESS STEEL
 SEALS: SILICONE
 LANYARD: STAINLESS STEEL (NYLON COAT)
- LANYARD LENGTH: APPROXIMATELY 6.0"
- RATED IP-68.
 PERFORMANCE MEETS OR EXCEEDS CATEGORY 6 ANSI/EIA 568-C.
- ALL DIMENSIONS ARE FOR REFERENCE ONLY.
- COMPONENT SHALL BE INDIVIDUALLY PACKAGED
 IN ACCORDANCE WITH L-COM SPECIFICATION LSP-010-1

UNLESS OTHERWISE SPECIFIED, DIMENSIONS ARE IN INCHES [mm] OVERALL CABLE LENGTH TOLERANCE: ≤12 [305] = +1 [25] / -0 >12 [305] ≤60 [1524] = +2 [51] / -0 >60 [1524] ≤120 [3048] = +4 [102] / -0 >120 [3048] ≤300 [7620] = +6 [152] / -0 >300 [7620] = +5% / -0% ALL OTHER DIMENSIONAL TOLERANCES: .X = ± .2 [5.08] .XX = ± .02 [51] .XXX = ±.005 [1.27]	APPROVALS DRAWN BY RCLARK	DATE 06/26/2017		50 HIGH STREET NORTH ANDOVER, MA 01845	
	CHECKED BY MMARTINEZ	07/20/2017		CATEGORY TELECOM/MODULAR	
	APPROVED BY DGUTTADAURO	07/21/2017	PRODUCT DESCRIPTION C6 JAM NUT D38999 ZNNI EMI	SIZE A	FSCM NO. 43321
	PROJECTION 	CONFIGURATION DETAILS OF UNDIMENSIONED FEATURES MAY VARY	DWG. NO. ECSJ1103U00	REV. B	SCALE: NONE CAD FILE: ECSJ1103U00.SLDDRW SHEET 1 OF 1