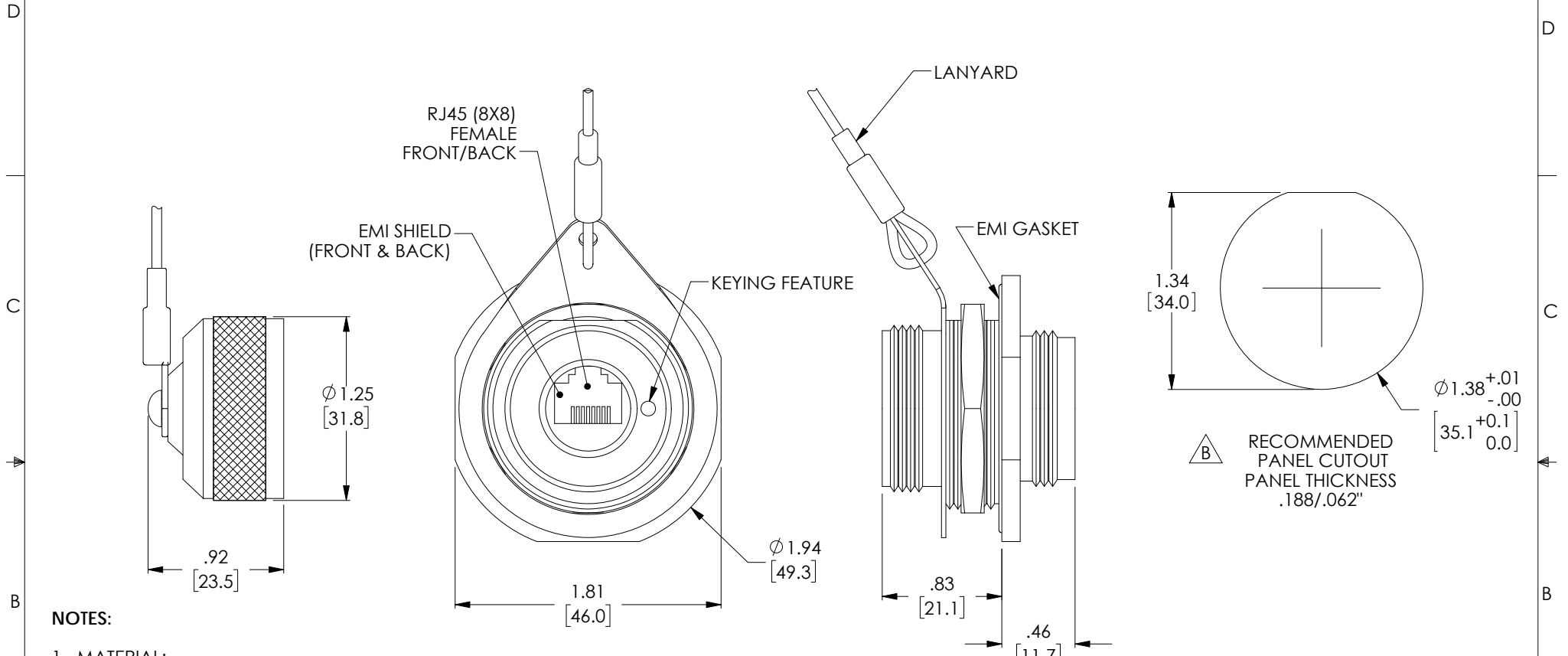


THE INFORMATION CONTAINED IN THIS DRAWING IS THE SOLE PROPERTY OF L-COM, INC. ANY REPRODUCTION IN PART OR WHOLE WITHOUT THE WRITTEN PERMISSION OF L-COM, INC. IS PROHIBITED.

REVISIONS			
REV	DESCRIPTION	DATE	APPROVED
A	INITIAL RELEASE	02/09/2018	RCLARK
B	ECN 9387: REVISED RECOMMENDED PANEL CUTOUT	08/29/2018	DFRISIELLO



NOTES:

- MATERIAL:**
 EXTERNAL PARTS: ALUMINUM/ELECTROLESS NICKEL, (BLACK)
 INTERNAL PARTS: ALUMINUM
 MISC. HARDWARE: STAINLESS STEEL
 SEALS: SILICONE
 LANYARD: STAINLESS STEEL (NYLON COAT)
- LANYARD LENGTH: APPROXIMATELY 6.0"
- RATED IP-68.
 PERFORMANCE MEETS OR EXCEEDS CATEGORY 6 ANSI/EIA 568-C.
- ALL DIMENSIONS ARE FOR REFERENCE ONLY.
- COMPONENT SHALL BE INDIVIDUALLY PACKAGED
 IN ACCORDANCE WITH L-COM SPECIFICATION LSP-010-1

REGULATORY COMPLIANCE:
 CE2011/65/EU(RoHS DIRECTIVE)

UNLESS OTHERWISE SPECIFIED, DIMENSIONS ARE IN INCHES [mm] OVERALL CABLE LENGTH TOLERANCE: ≤12 [305] = +1 [25] / -0 >12 [305] ≤60 [1524] = +2 [51] / -0 >60 [1524] ≤120 [3048] = +4 [102] / -0 >120 [3048] ≤300 [7620] = +6 [152] / -0 >300 [7620] = +5% / -0%	APPROVALS	DATE		50 HIGH STREET NORTH ANDOVER, MA 01845
	DRAWN BY RCLARK	02/06/2018		CATEGORY TELECOM/MODULAR
ALL OTHER DIMENSIONAL TOLERANCES: .X = ±.2 [5.08] .XX = ±.02 [51] .XXX = ±.005 [1.27]	CHECKED BY MMARTINEZ	02/09/2018	PRODUCT DESCRIPTION C6 JAM NUT SHLD D38999 EN W/ DUSTCAP	
	APPROVED BY DGUTTADAURO	02/09/2018	SIZE A	FSCM NO. 43321
PROJECTION 	CONFIGURATION DETAILS OF UNDIMENSIONED FEATURES MAY VARY		DWG. NO. ECSJ1109U00	REV. B
COLOR VARIATIONS MAY OCCUR		SCALE: NONE		CAD FILE: ECSJ1109U00.SLDDRW
				SHEET 1 OF 1