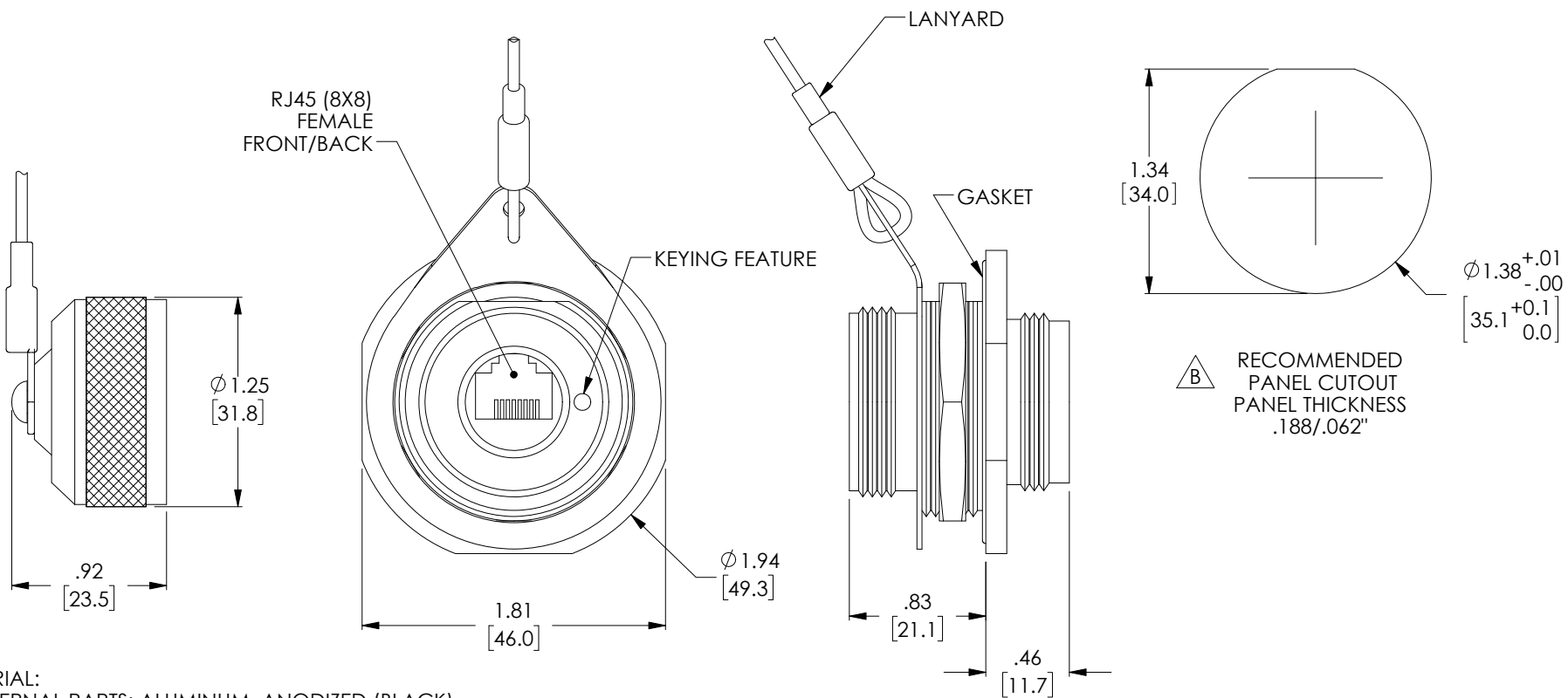


THE INFORMATION CONTAINED IN THIS DRAWING IS THE SOLE PROPERTY OF L-COM, INC. ANY REPRODUCTION IN PART OR WHOLE WITHOUT THE WRITTEN PERMISSION OF L-COM, INC. IS PROHIBITED.

REVISIONS			
REV	DESCRIPTION	DATE	APPROVED
A	INITIAL RELEASE	06/26/2017	RCLARK
B	ECN 9387: REVISED RECOMMENDED PANEL CUTOUT	08/29/2018	DFRISIELLO



NOTES:

- MATERIAL:**
 EXTERNAL PARTS: ALUMINUM, ANODIZED (BLACK)
 INTERNAL PARTS: ALUMINUM
 MISC. HARDWARE: STAINLESS STEEL
 SEALS: SILICONE
 LANYARD: STAINLESS STEEL (NYLON COAT)
- LANYARD LENGTH: APPROXIMATELY 6.0"
- RATED IP-68.
 PERFORMANCE MEETS OR EXCEEDS CATEGORY 6 ANSI/EIA 568-C.
- ALL DIMENSIONS ARE FOR REFERENCE ONLY.
- COMPONENT SHALL BE INDIVIDUALLY PACKAGED
 IN ACCORDANCE WITH L-COM SPECIFICATION LSP-010-1

REGULATORY COMPLIANCE:
 CE2011/65/EU(RoHS DIRECTIVE)

UNLESS OTHERWISE SPECIFIED, DIMENSIONS ARE IN INCHES [mm] OVERALL CABLE LENGTH TOLERANCE: ≤12 [305] = +1 [25] / -0 >12 [305] ≤60 [1524] = +2 [51] / -0 >60 [1524] ≤120 [3048] = +4 [102] / -0 >120 [3048] ≤300 [7620] = +6 [152] / -0 >300 [7620] = +5% / -0%	APPROVALS	DATE		50 HIGH STREET NORTH ANDOVER, MA 01845		
	DRAWN BY RCLARK	06/26/2017		CATEGORY TELECOM/MODULAR		
ALL OTHER DIMENSIONAL TOLERANCES: .X = ±.2 [5.08] .XX = ±.02 [1.51] .XXX = ±.005 [1.13]	CHECKED BY MMARTINEZ	07/20/2017	PRODUCT DESCRIPTION C6 JAM NUT D38999 ANOD DCAP			
	APPROVED BY DGUTTADAURO	07/21/2017	<table border="1"> <tr> <td>SIZE A</td> <td>FSCM NO. 43321</td> <td>DWG. NO. ECSJ1201U00</td> <td>REV. B</td> </tr> </table>	SIZE A	FSCM NO. 43321	DWG. NO. ECSJ1201U00
SIZE A	FSCM NO. 43321	DWG. NO. ECSJ1201U00	REV. B			
PROJECTION 	CONFIGURATION DETAILS OF UNDIMENSIONED FEATURES MAY VARY		SCALE: NONE CAD FILE: ECSJ1201U00.SLDDRW SHEET 1 OF 1			
COLOR VARIATIONS MAY OCCUR						