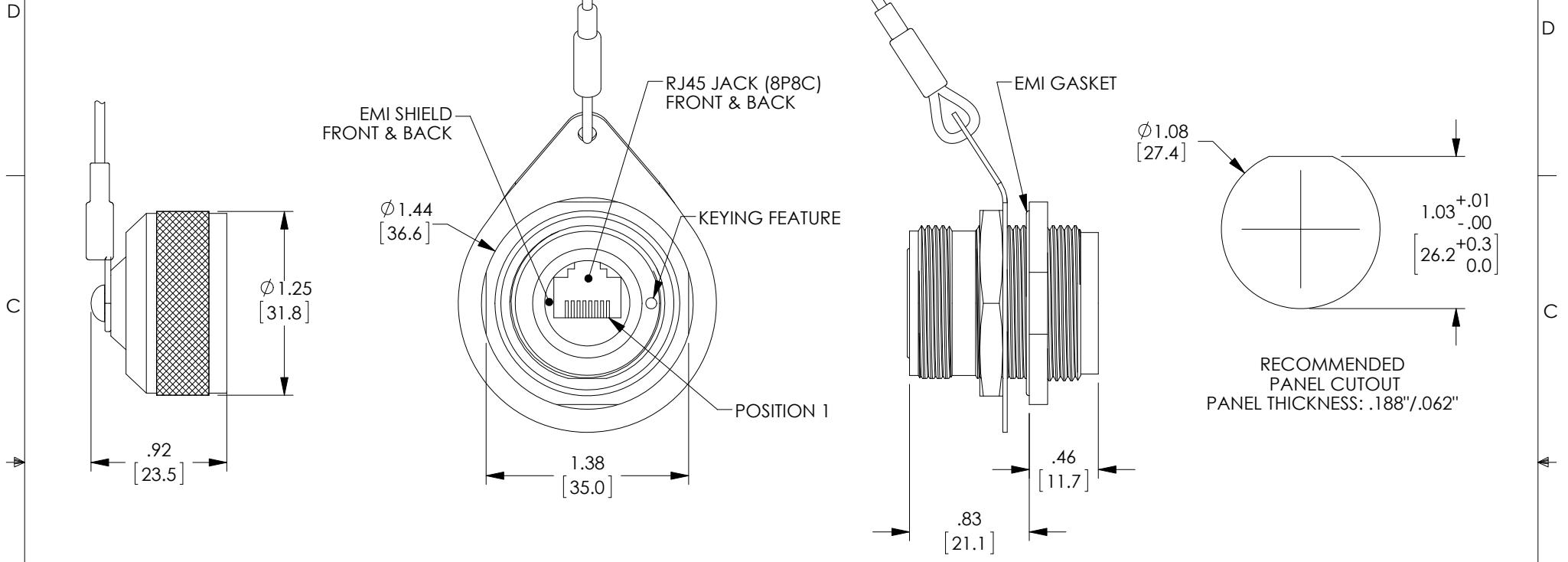


THE INFORMATION CONTAINED IN THIS DRAWING IS THE SOLE PROPERTY OF L-COM, INC. ANY REPRODUCTION IN PART OR WHOLE WITHOUT THE WRITTEN PERMISSION OF L-COM, INC. IS PROHIBITED.

REVISIONS			
REV	DESCRIPTION	DATE	APPROVED
A	INITIAL RELEASE	7/31/17	D.FRISIELLO



NOTES:

- MATERIAL:**
EXTERNAL PARTS: ALUMINUM/ZINC-NICKEL, (OLIVE DRAB)
INTERNAL PARTS: ALUMINUM
MISC. HARDWARE: STAINLESS STEEL
SEALS: SILICONE/NITRILE
LANYARD: STAINLESS STEEL (NYLON COAT)
- MISCELLANEOUS:**
RATING: IP-68
PERFORMANCE MEETS OR EXCESS CATEGORY 6
ANSI/EIA 568-C.2 SPECIFICATIONS.
- KIT INCLUDES:**
(1) DUST CAP WITH LANYARD
- ALL DIMENSIONS ARE FOR REFERENCE ONLY.
- COMPONENT SHALL BE INDIVIDUALLY PACKAGED
IN ACCORDANCE WITH L-COM SPECIFICATION LSP-010-1

UNLESS OTHERWISE SPECIFIED, DIMENSIONS ARE IN INCHES [mm] OVERALL CABLE LENGTH TOLERANCE: ≤12 [305] = +1 [25] / -0 >12 [305] ≤60 [1524] = +2 [51] / -0 >60 [1524] ≤120 [3048] = +4 [102] / -0 >120 [3048] ≤300 [7620] = +6 [152] / -0 >300 [7620] = +5% / -0%	APPROVALS	DATE		50 HIGH STREET NORTH ANDOVER, MA 01845
	DRAWN BY D.FRISIELLO	6/26/17		
ALL OTHER DIMENSIONAL TOLERANCES: .X = ± .2 [5.08] .XX = ± .02 [51] .XXX = ±.005 [1.13]	CHECKED BY M.MARTINEZ	7/21/17	CATEGORY TELECOM/MODULAR	
	APPROVED BY D.GUITADAURO	7/21/17	PRODUCT DESCRIPTION C6 JAM NUT SHLD ZNNI DCAP	
PROJECTION 	CONFIGURATION DETAILS OF UNDIMENSIONED FEATURES MAY VARY	COLOR VARIATIONS MAY OCCUR	SIZE A	FSCM NO. 43321
			DWG. NO. ECSK2103U00	REV. A
			SCALE: NONE	CAD FILE: ECSK2103U00.SLDDRW
				SHEET 1 OF 1