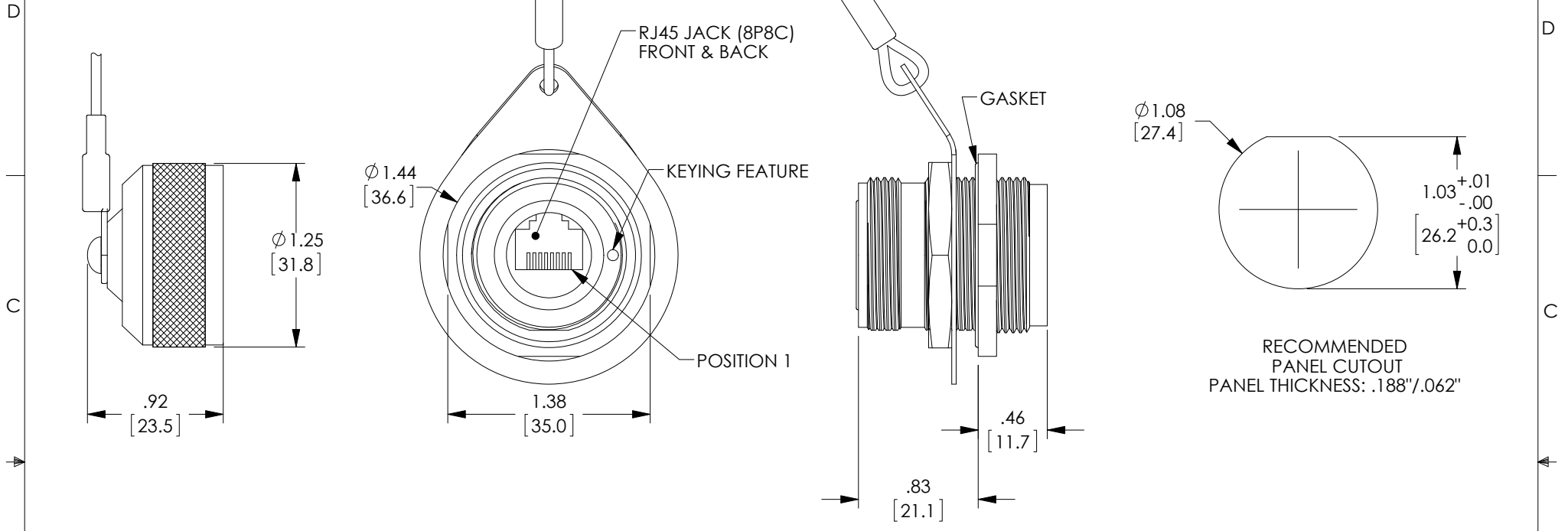


THE INFORMATION CONTAINED IN THIS DRAWING IS THE SOLE PROPERTY OF L-COM, INC. ANY REPRODUCTION IN PART OR WHOLE WITHOUT THE WRITTEN PERMISSION OF L-COM, INC. IS PROHIBITED.

REVISIONS			
REV	DESCRIPTION	DATE	APPROVED
A	PRELIMINARY RELEASE	7/31/17	D.FRISIELLO



NOTES:

- MATERIAL:**
 EXTERNAL PARTS: ALUMINUM/BLACK ANODIZED
 INTERNAL PARTS: ALUMINUM
 MISC. HARDWARE: STAINLESS STEEL
 SEALS: SILICONE/NITRILE
 LANYARD: STAINLESS STEEL (NYLON COAT)
- MISCELLANEOUS:**
 RATING: IP-68
 PERFORMANCE MEETS OR EXCESS CATEGORY 6
 ANSI/EIA 568-C.2 SPECIFICATIONS.
- KIT INCLUDES:**
 (1) DUST CAP AND WITH LANYARD.
- ALL DIMENSIONS ARE FOR REFERENCE ONLY.**
- COMPONENT SHALL BE INDIVIDUALLY PACKAGED IN ACCORDANCE WITH L-COM SPECIFICATION LSP-010-1**

REGULATORY COMPLIANCE:
 CE2011/65/EU (RoHS DIRECTIVE)

UNLESS OTHERWISE SPECIFIED, DIMENSIONS ARE IN INCHES [mm] OVERALL CABLE LENGTH TOLERANCE: ≤12 [305] = +1 [25] / -0 >12 [305] ≤60 [1524] = +2 [51] / -0 >60 [1524] ≤120 [3048] = +4 [102] / -0 >120 [3048] ≤300 [7620] = +6 [152] / -0 >300 [7620] = +5% / -0%	APPROVALS	DATE	50 HIGH STREET NORTH ANDOVER, MA 01845	
	DRAWN BY D.FRISIELLO	6/27/17		
ALL OTHER DIMENSIONAL TOLERANCES: .X = ± .2 [5.08] .XX = ± .02 [51] .XXX = ± .005 [1.27]	CHECKED BY M.MARTINEZ	7/21/17	PRODUCT DESCRIPTION C6 JAM NUT ANOD DCAP	
	APPROVED BY D.GUITADAURO	7/21/17		
PROJECTION 	COLOR VARIATIONS MAY OCCUR	SCALE: NONE	CAD FILE: ECSK2201U00.SLDRW	SHEET 1 OF 1